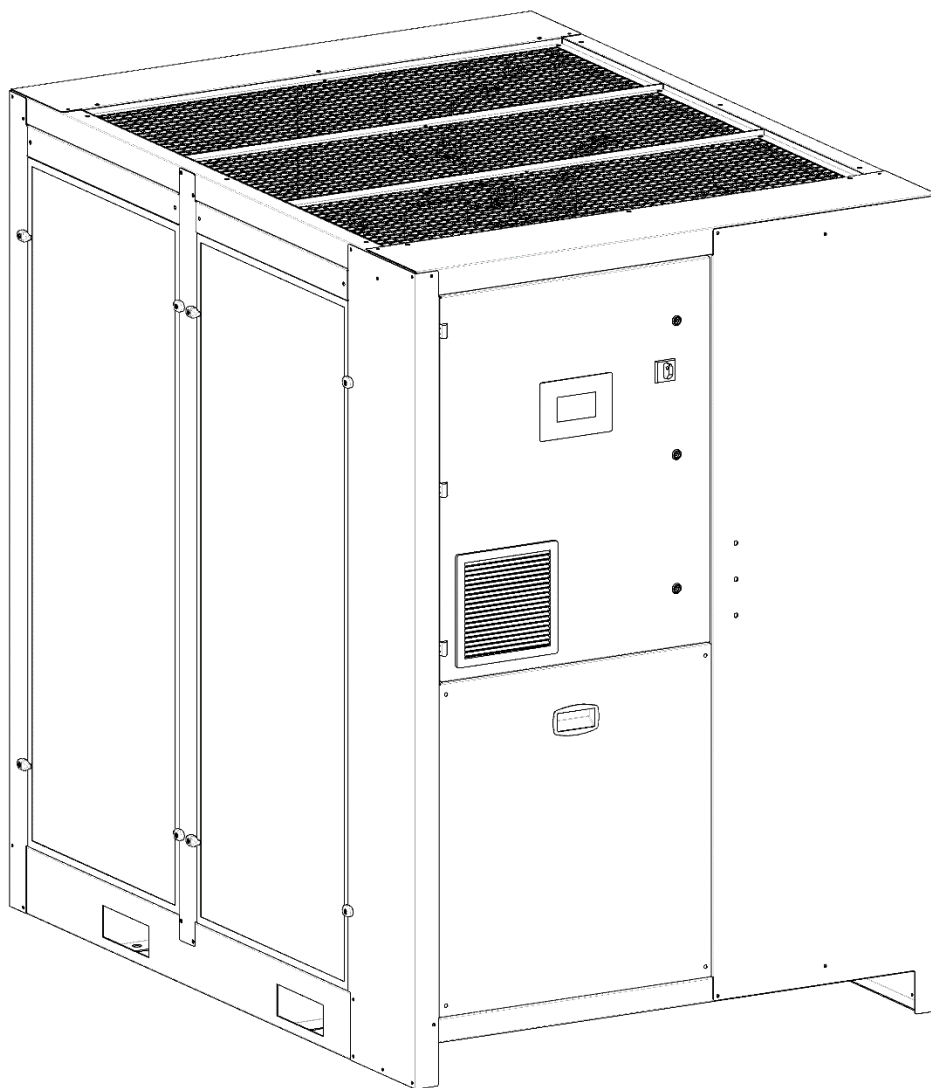




Appendices/ Anhänge/ Annexes/ Apèndices/ Appendice/
Anexos / Bijlagen / Приложение / Bilag / Załączniki /
Bilagor / Přílohy / 附录

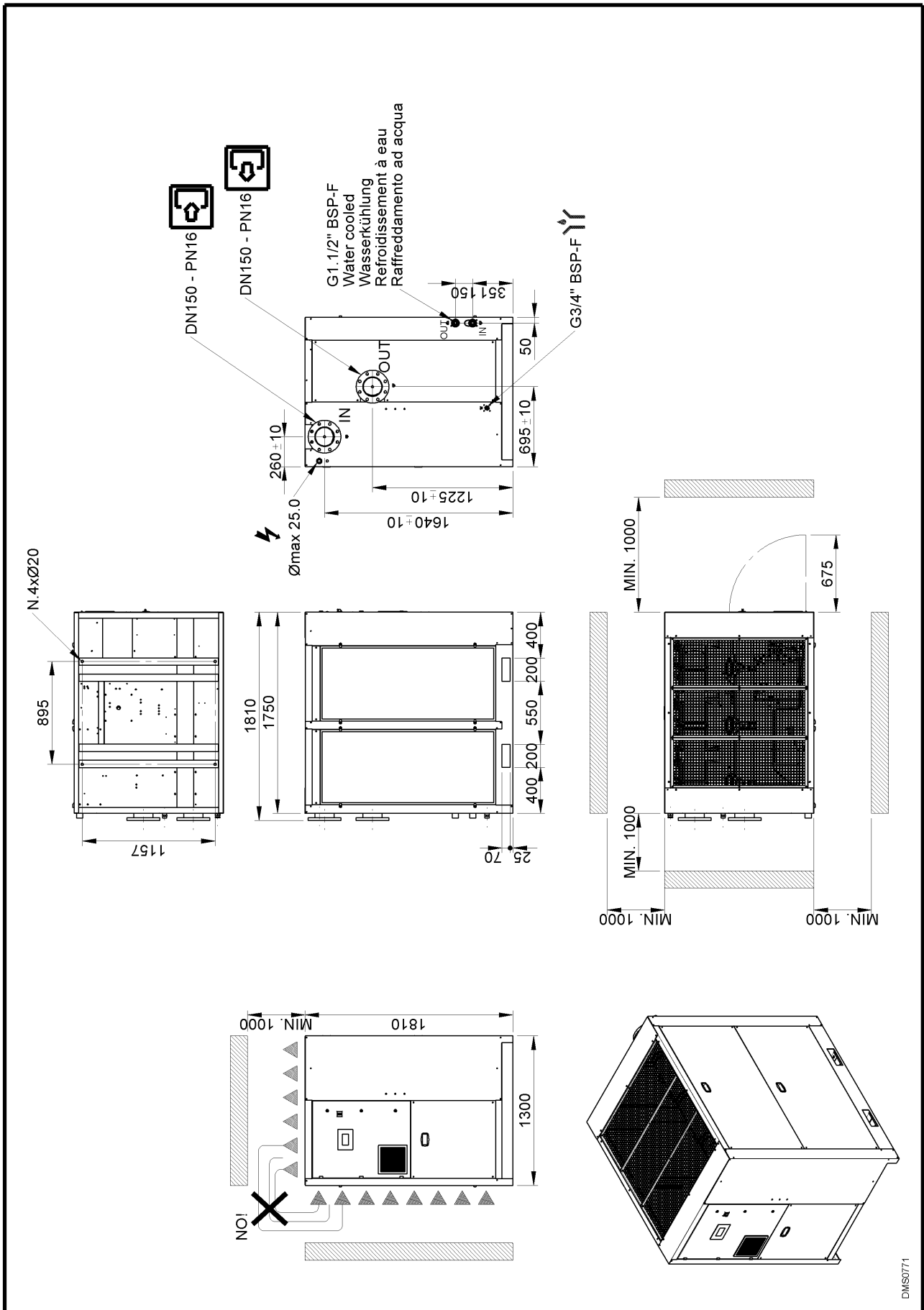
Compressed air refrigeration dryer
DRYPOINT® RA 5400-10800 eco



13 Appendices

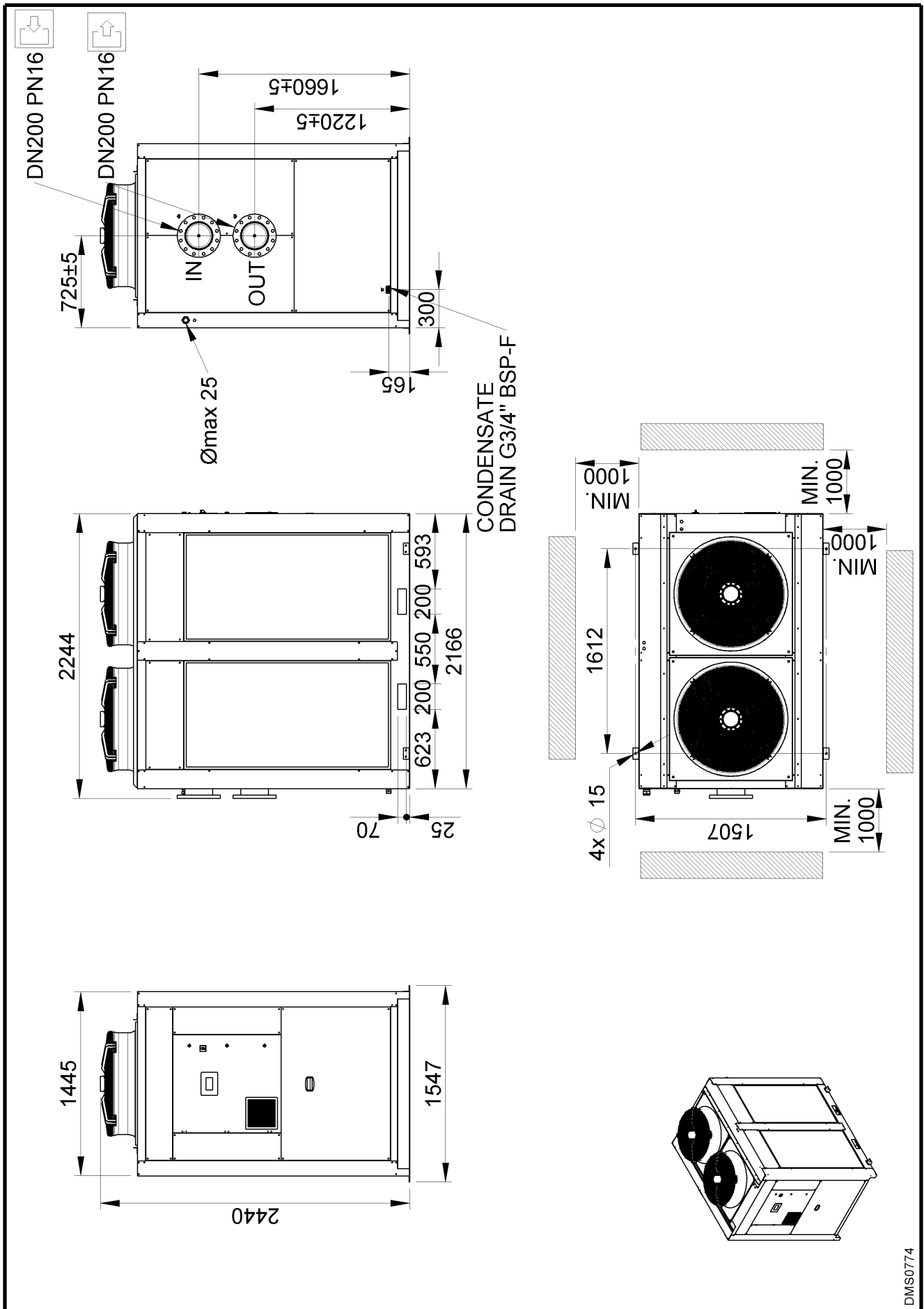
13.1 Dryer dimensions

13.1.1 DRYPOINT RA 5400-6600 eco



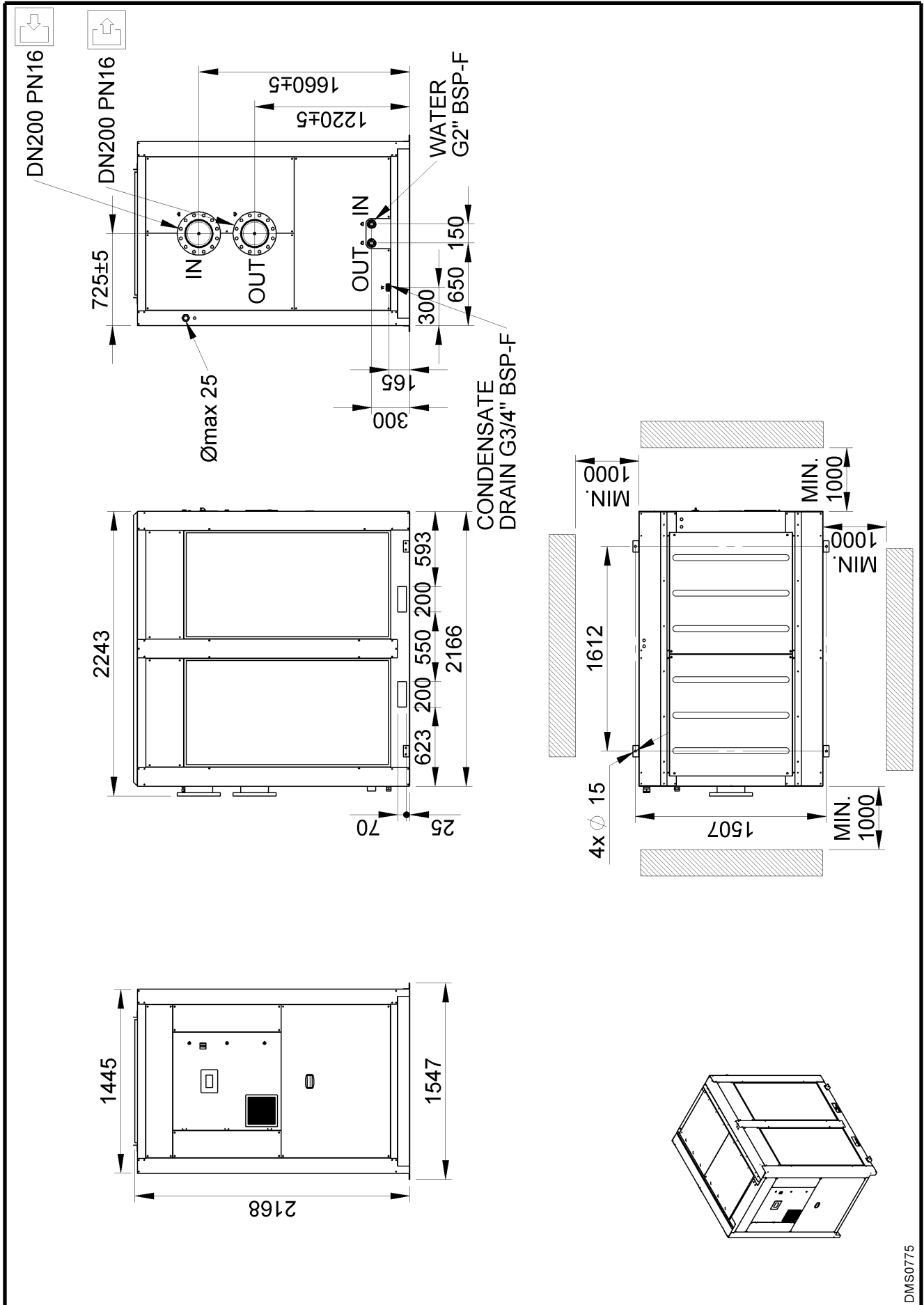
DWS0771

13.1.3 DRYPOINT RA 10800 eco Air-cooled



DMS0774

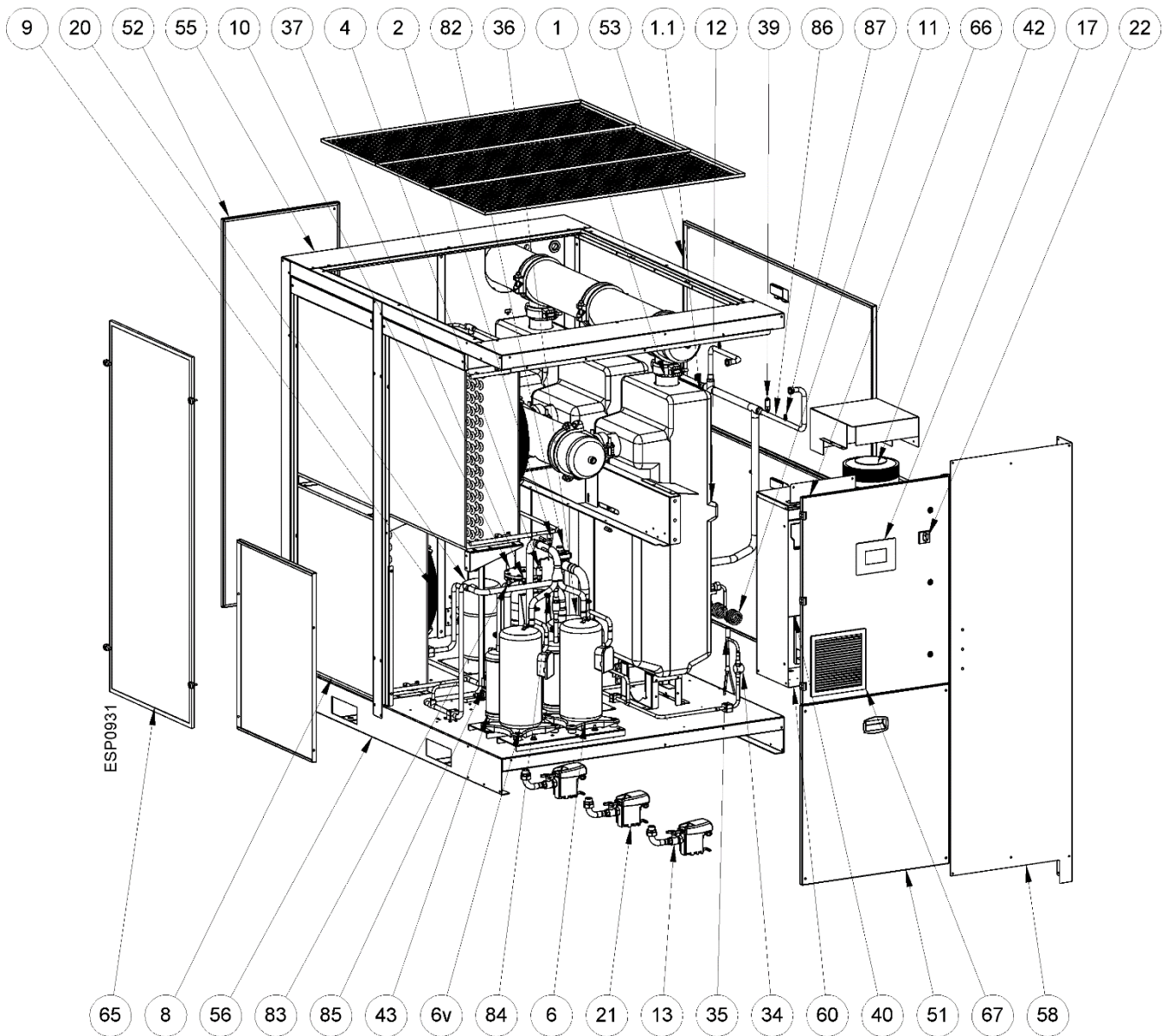
13.1.4 DRYPOINT RA 10800 eco Water-cooled



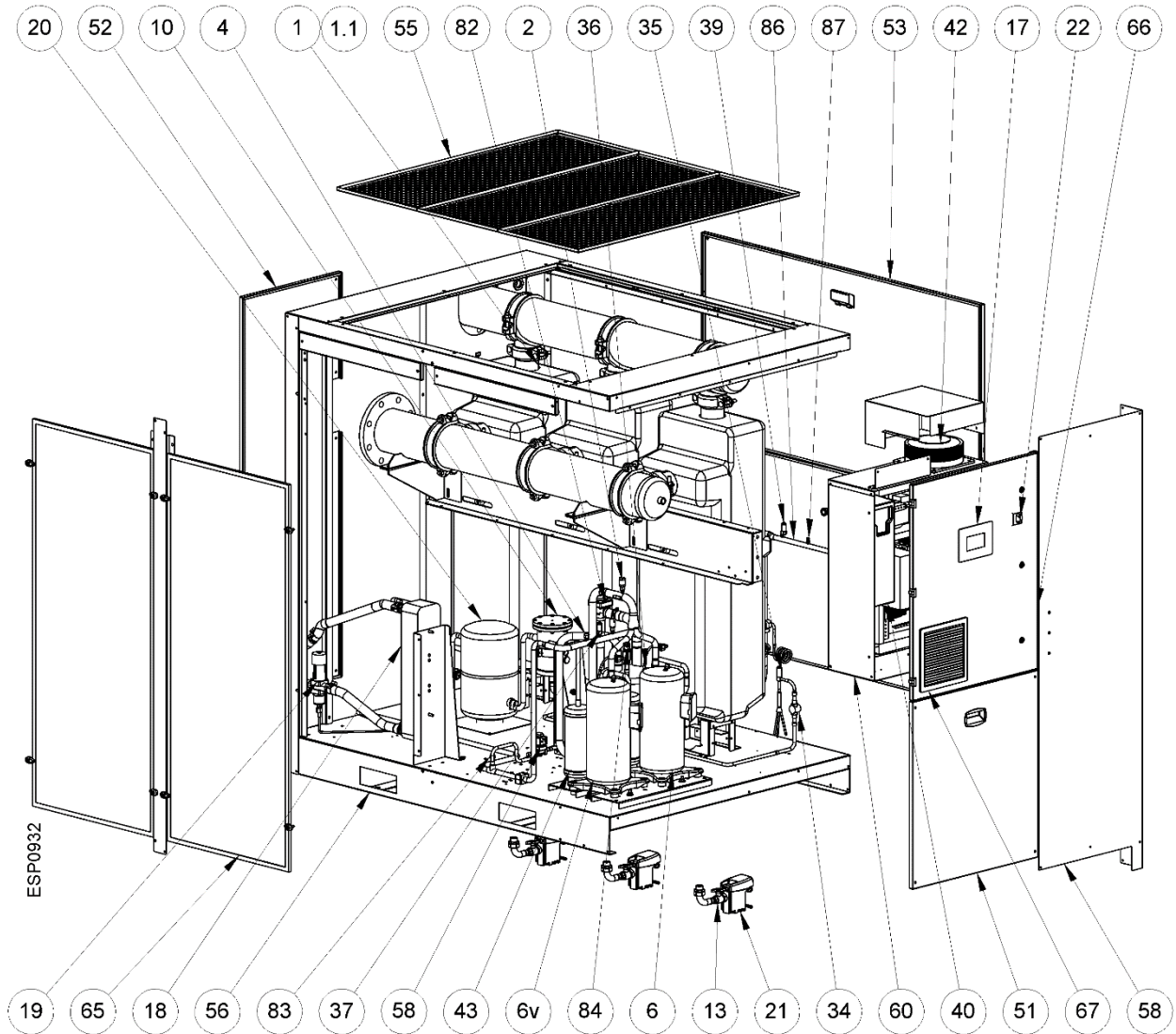
DMS0775

13.2 Exploded views

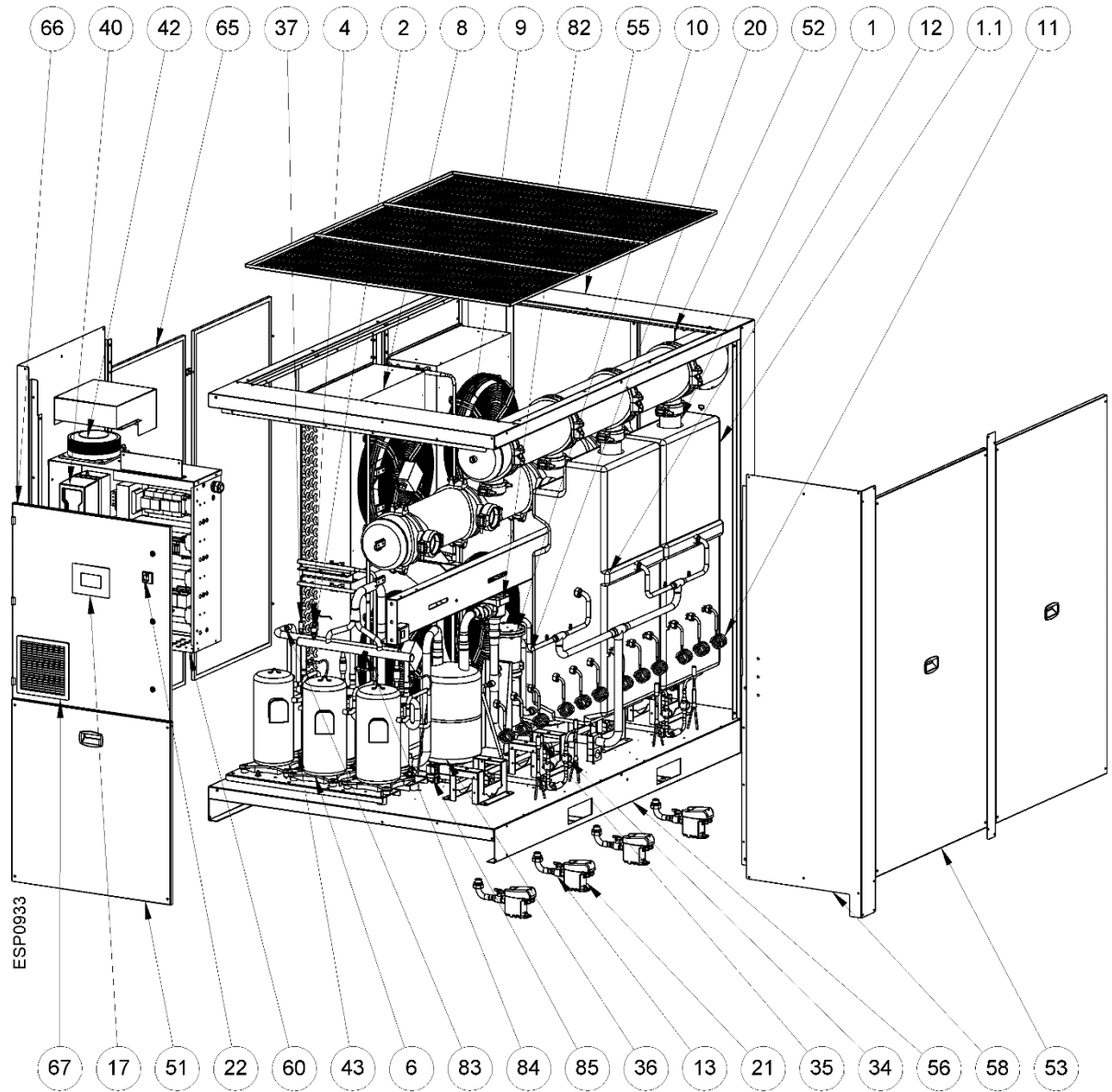
13.2.1 DRYPOINT 5400-6600 eco Air-cooled



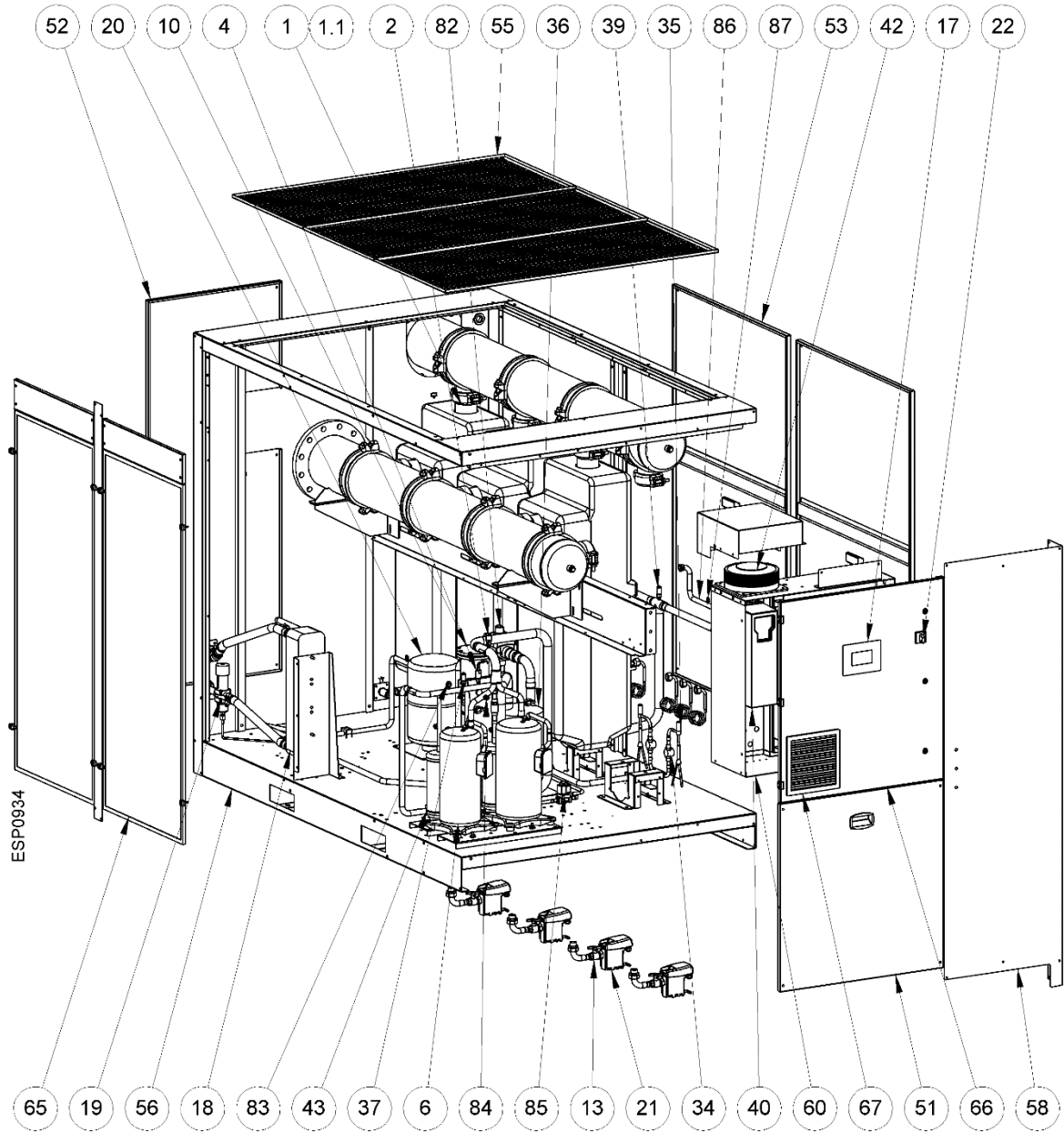
13.2.2 DRYPOINT RA 5400-6600 00 eco Water-cooled



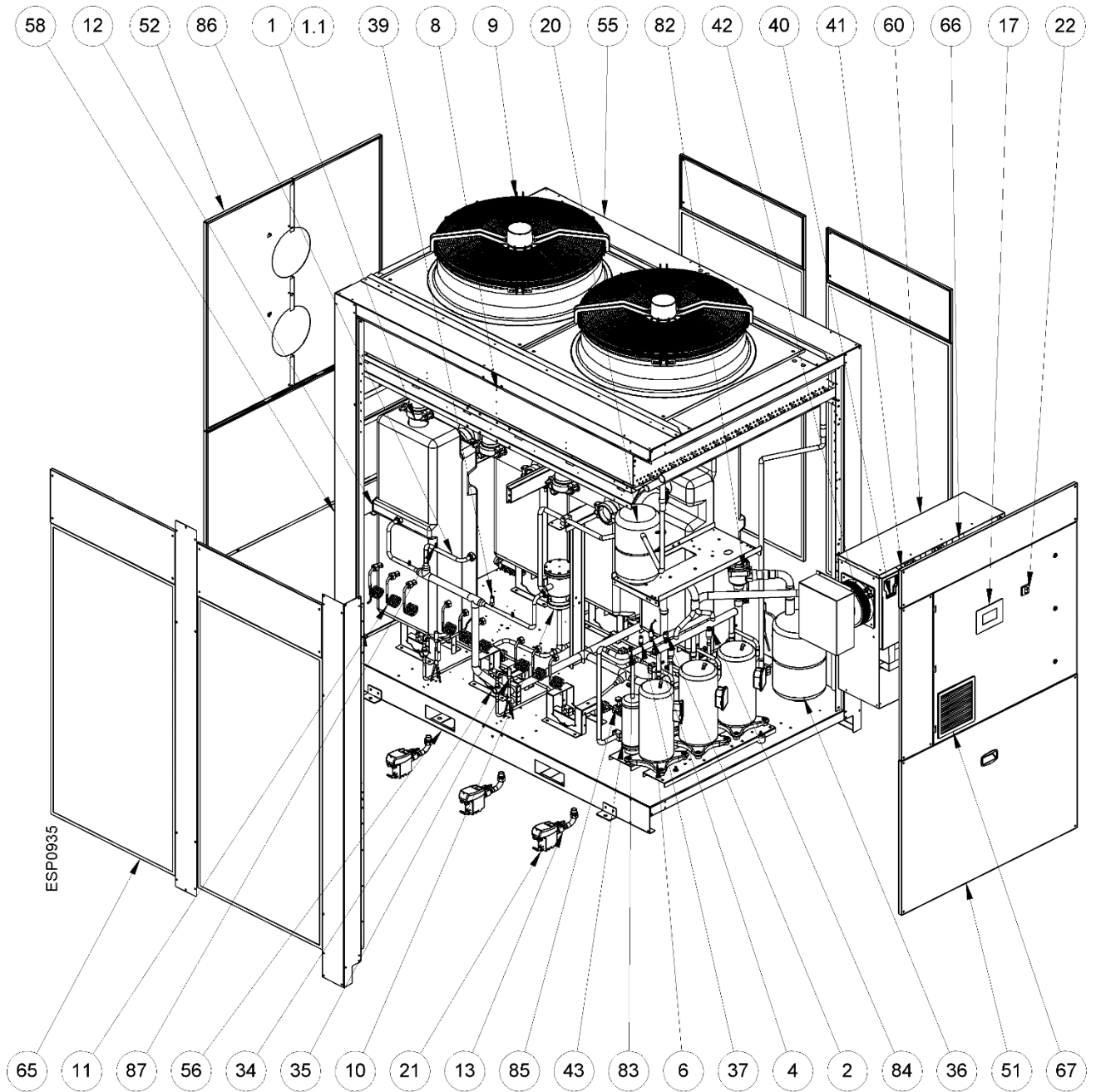
13.2.3 DRYPOINT RA 7200-8800 eco Air-cooled



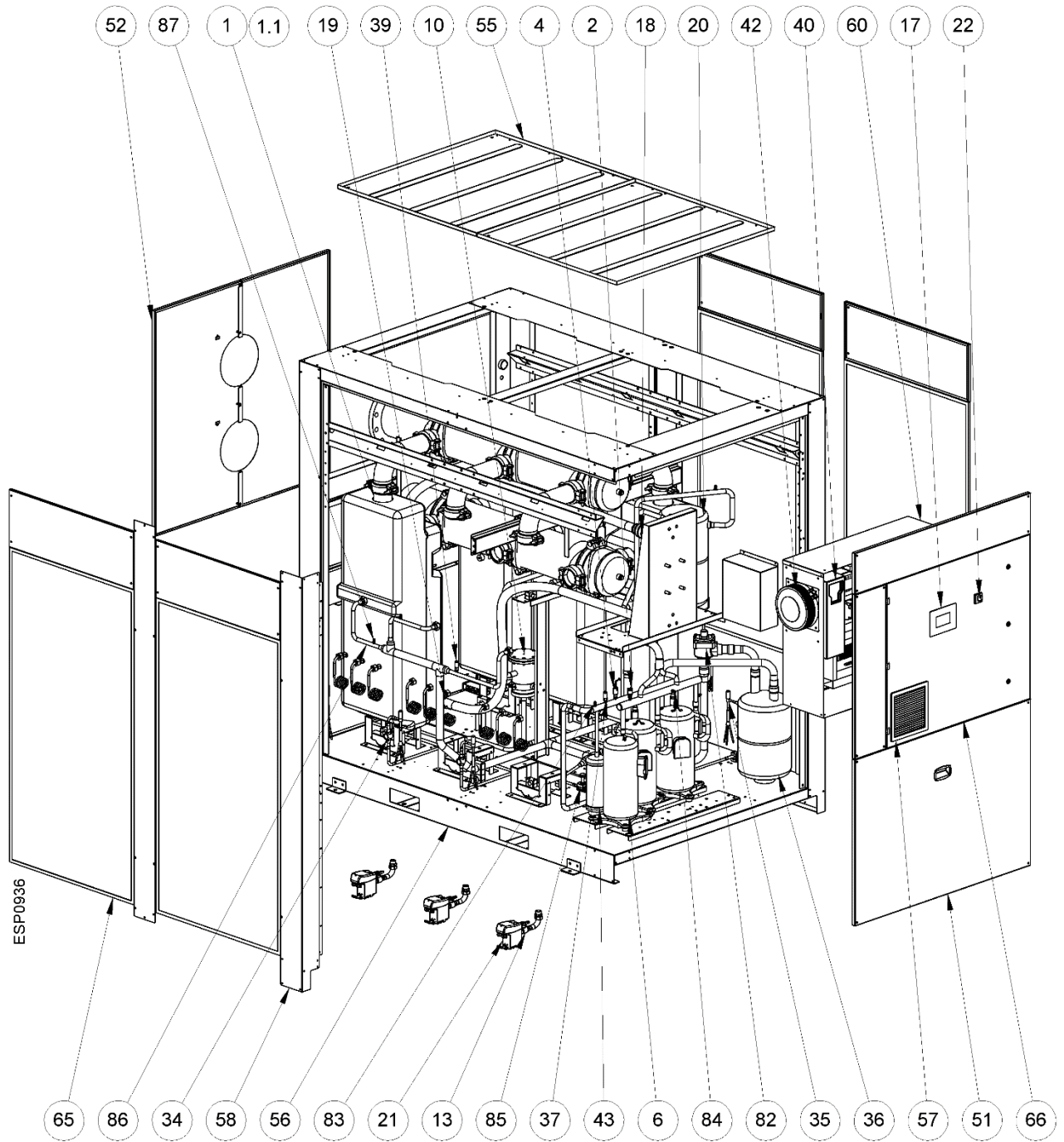
13.2.4 DRYPOINT RA 7200-8800 eco Water-cooled



13.2.5 DRYPOINT RA 10800 eco Air-cooled

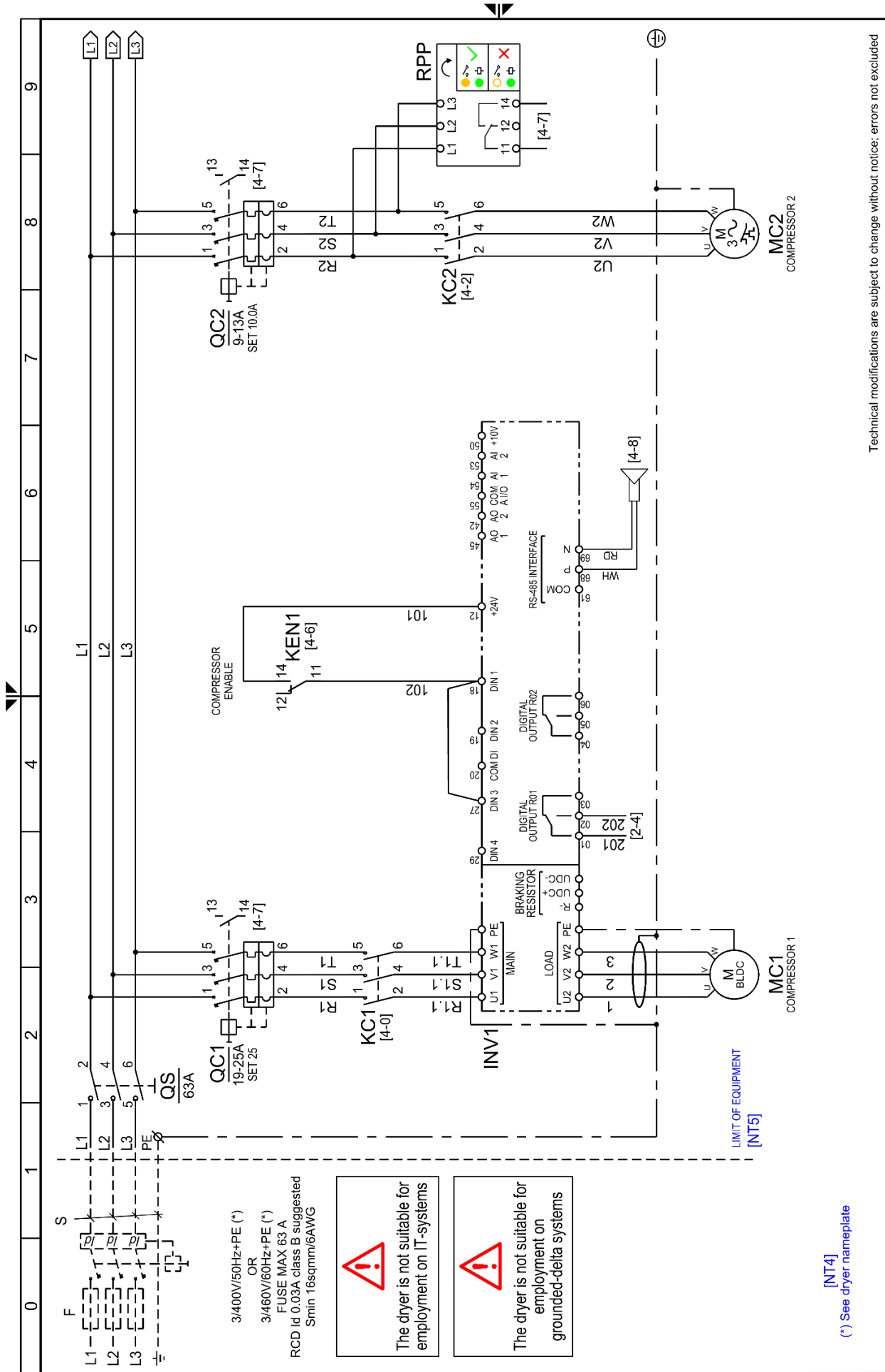


13.2.6 DRYPOINT RA 10800 eco Water-cooled



13.3 Electric diagrams

13.3.1 DRYPOINT RA 5400-6600 eco



Technical modifications are subject to change without notice; errors not excluded

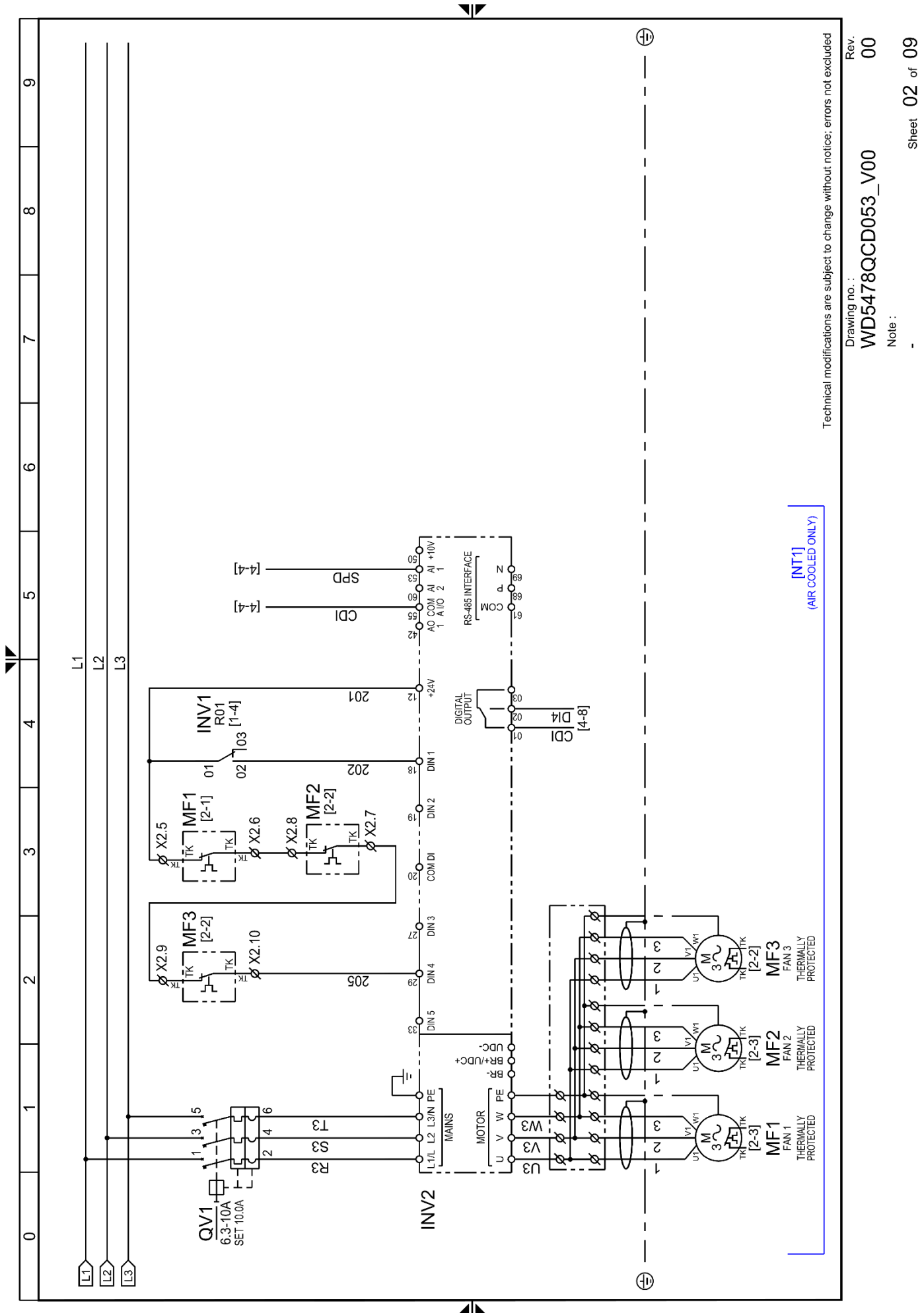
Drawing no. : WD5478QCD053_V00

Rev. 00

Note :

Sheet 01 of 09

13.3.1 DRYPOINT RA 5400-6600 eco

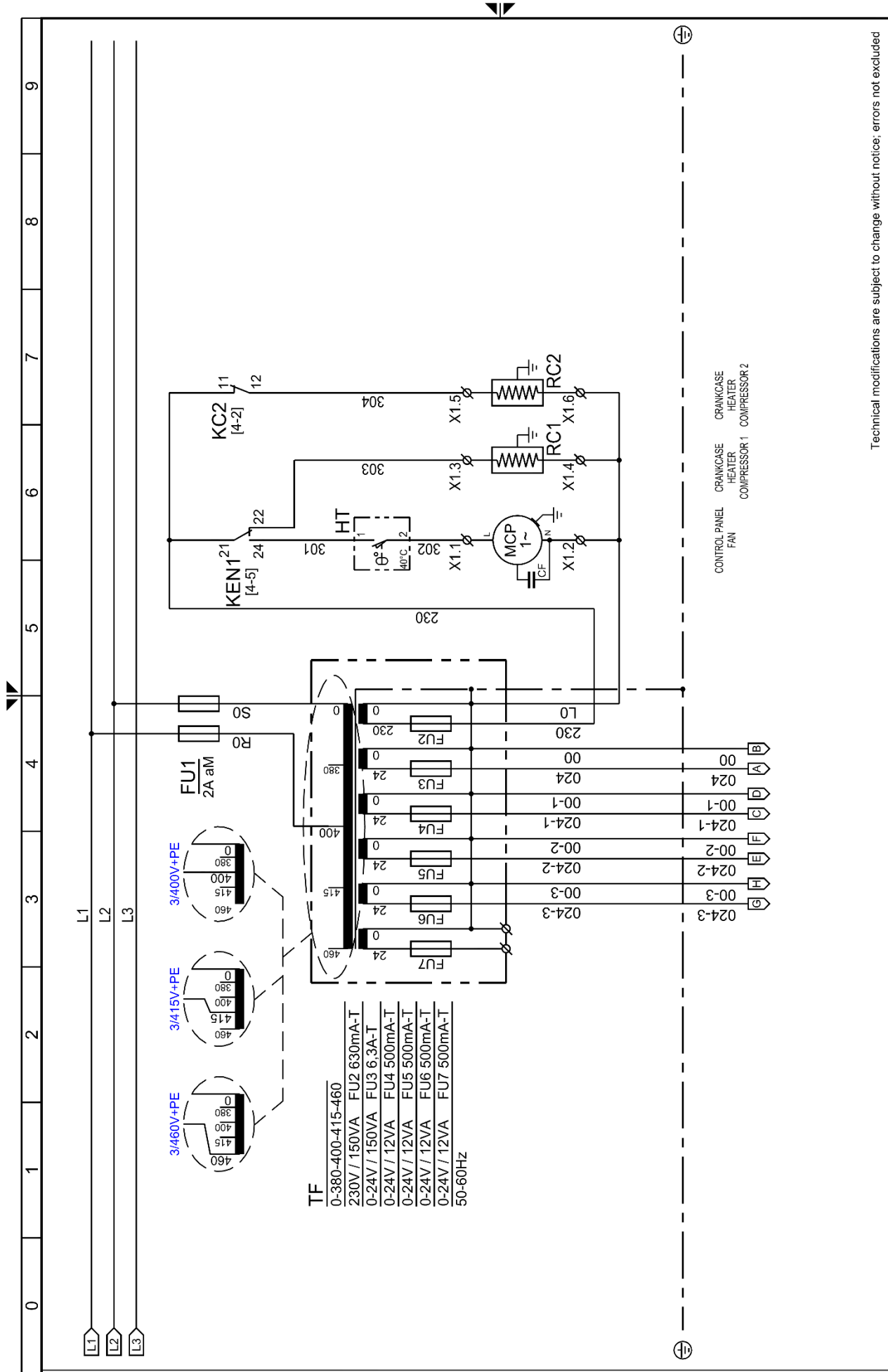


[NT1] (AIR COOLED ONLY)

Technical modifications are subject to change without notice; errors not excluded

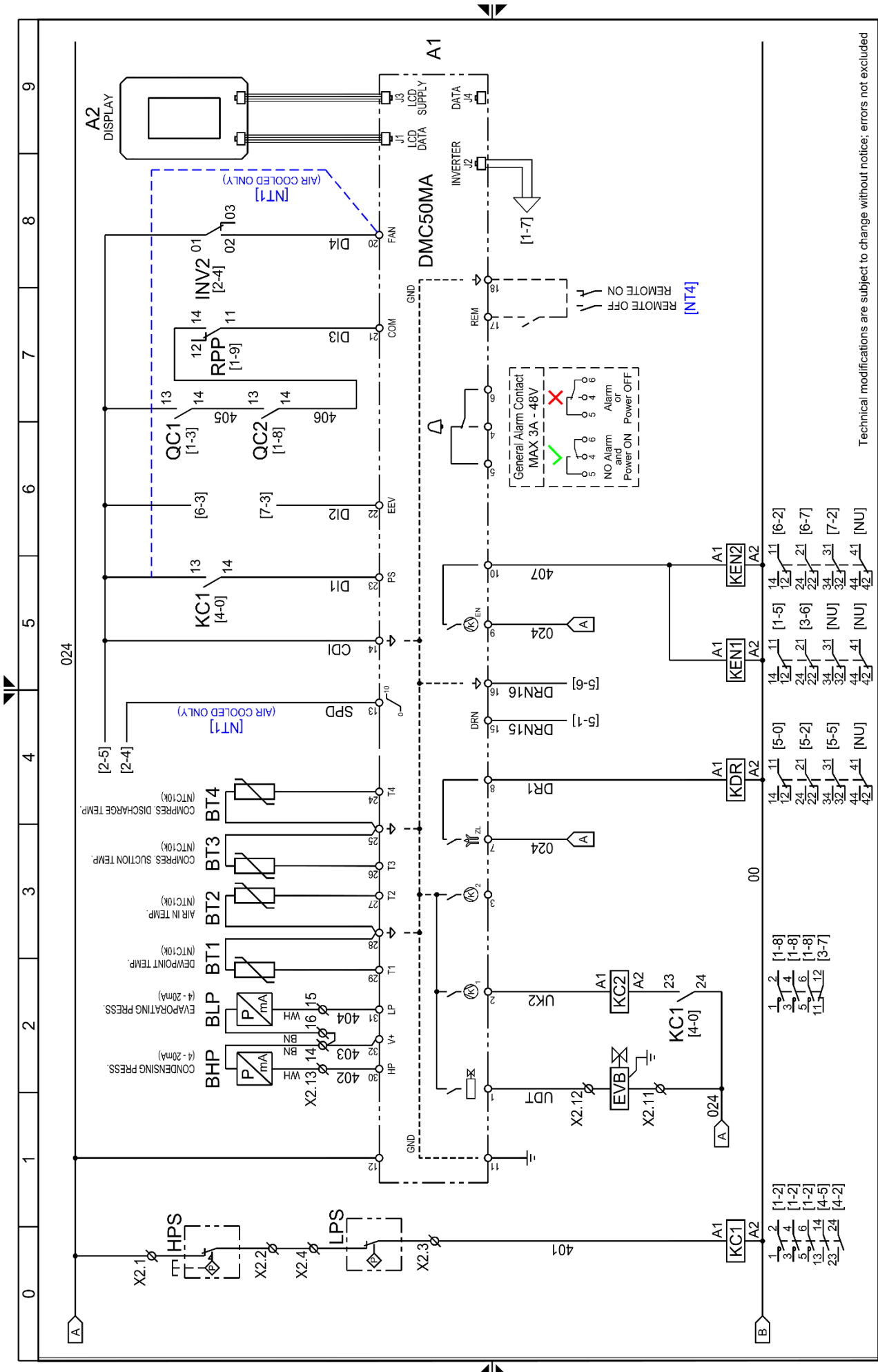
Drawing no.: **WD5478QCD053_V00**
 Rev. **00**
 Note: .
 Sheet **02** of **09**

13.3.1 DRYPOINT RA 5400-6600 eco



Rev. 00
 Drawing no.: WD5478QCD053_V00
 Note: -
 Sheet 03 of 09

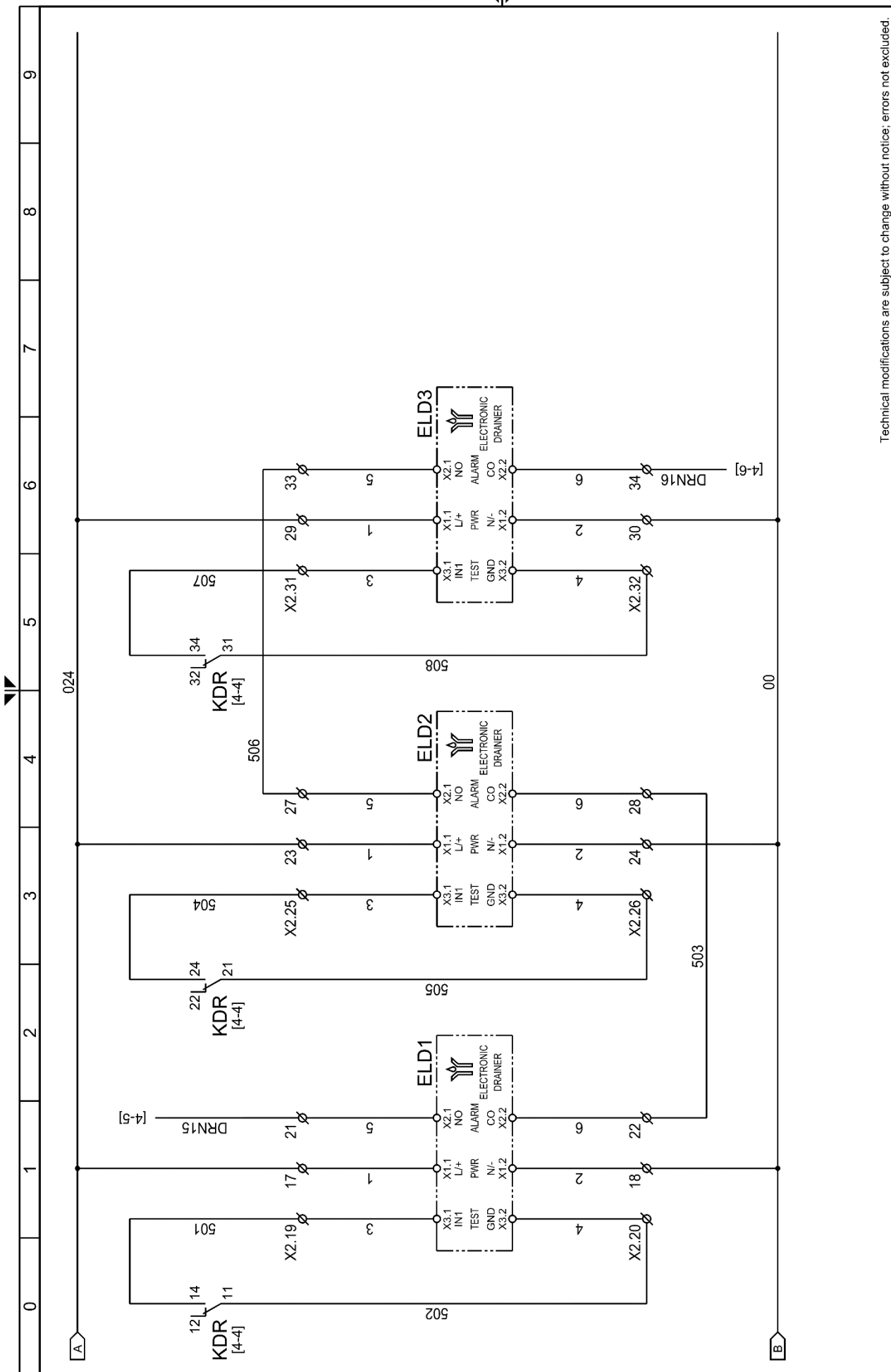
13.3.1 DRYPOINT RA 5400-6600 eco



Technical modifications are subject to change without notice, errors not excluded

Rev. 00
 Drawing no.: WD5478QCD053_V00
 Note: Sheet 04 of 09

13.3.1 DRYPOINT RA 5400-6600 eco



Technical modifications are subject to change without notice; errors not excluded.

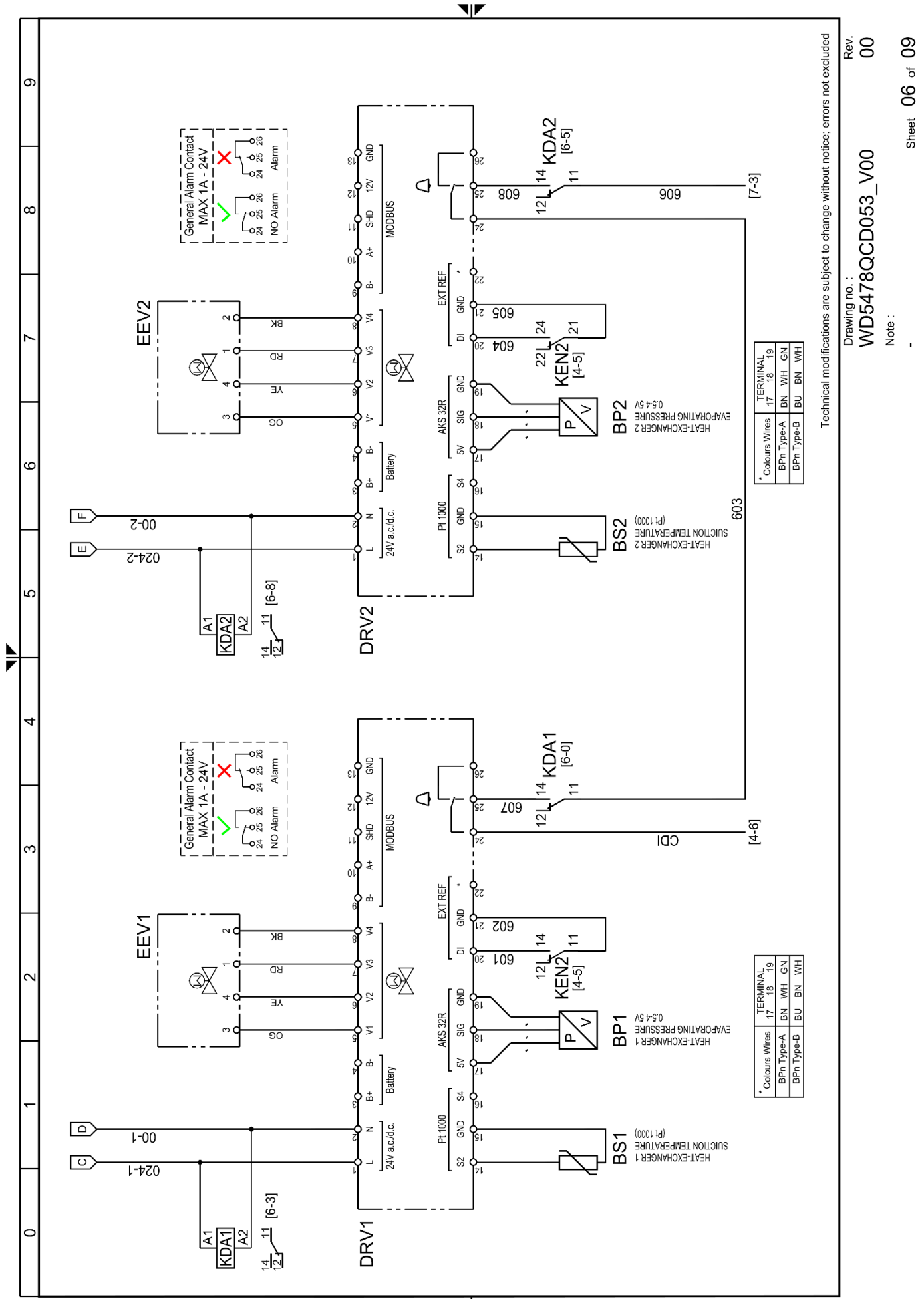
Rev.

WD5478QCD053_V00 00

Note :

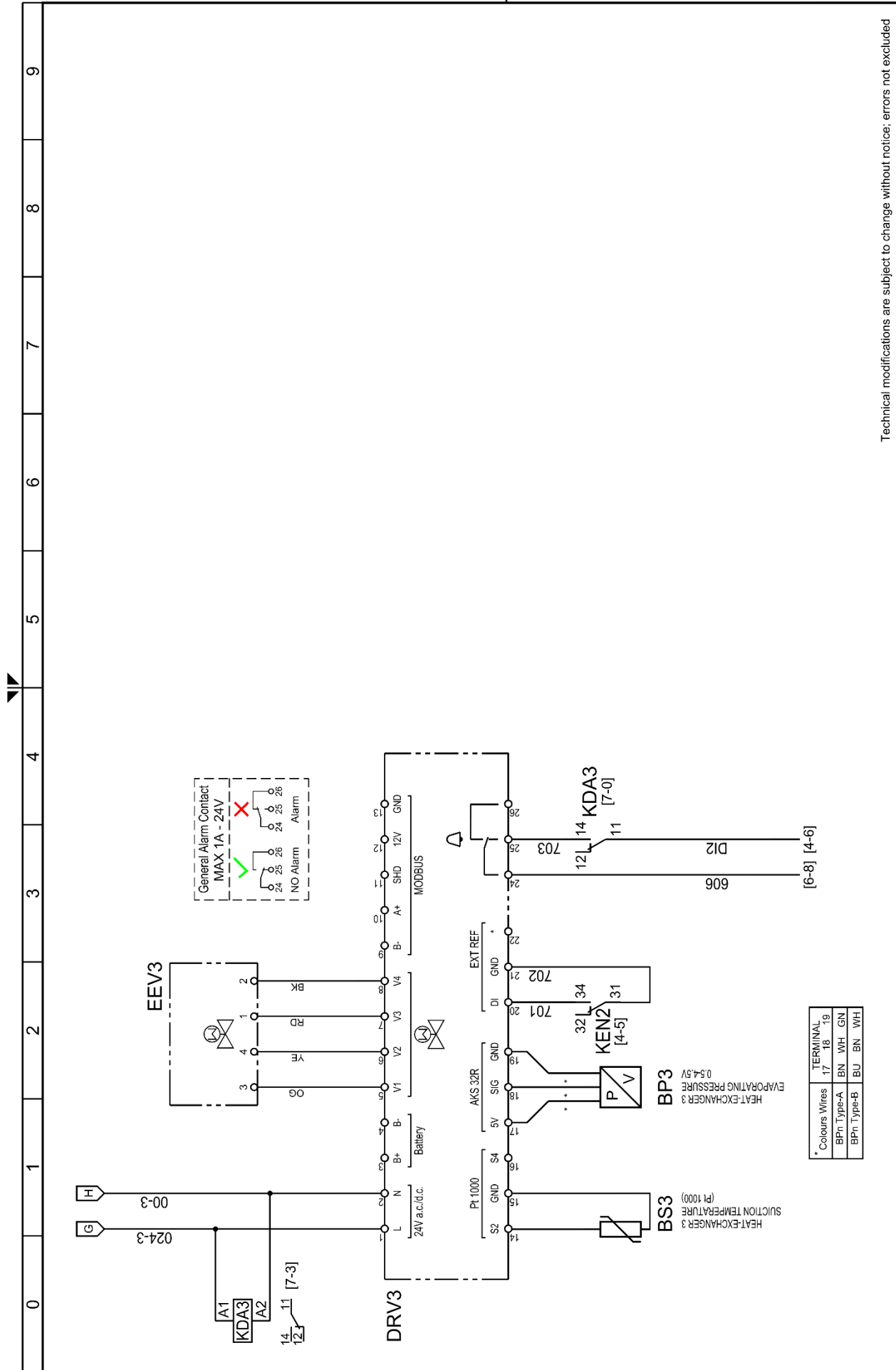
Sheet 05 of 09

13.3.1 DRYPOINT RA 5400-6600 eco



13.3.1 DRYPOINT RA 5400-6600 eco

13.3.1 DRYPOINT RA 5400-6600 eco



Technical modifications are subject to change without notice; errors not excluded

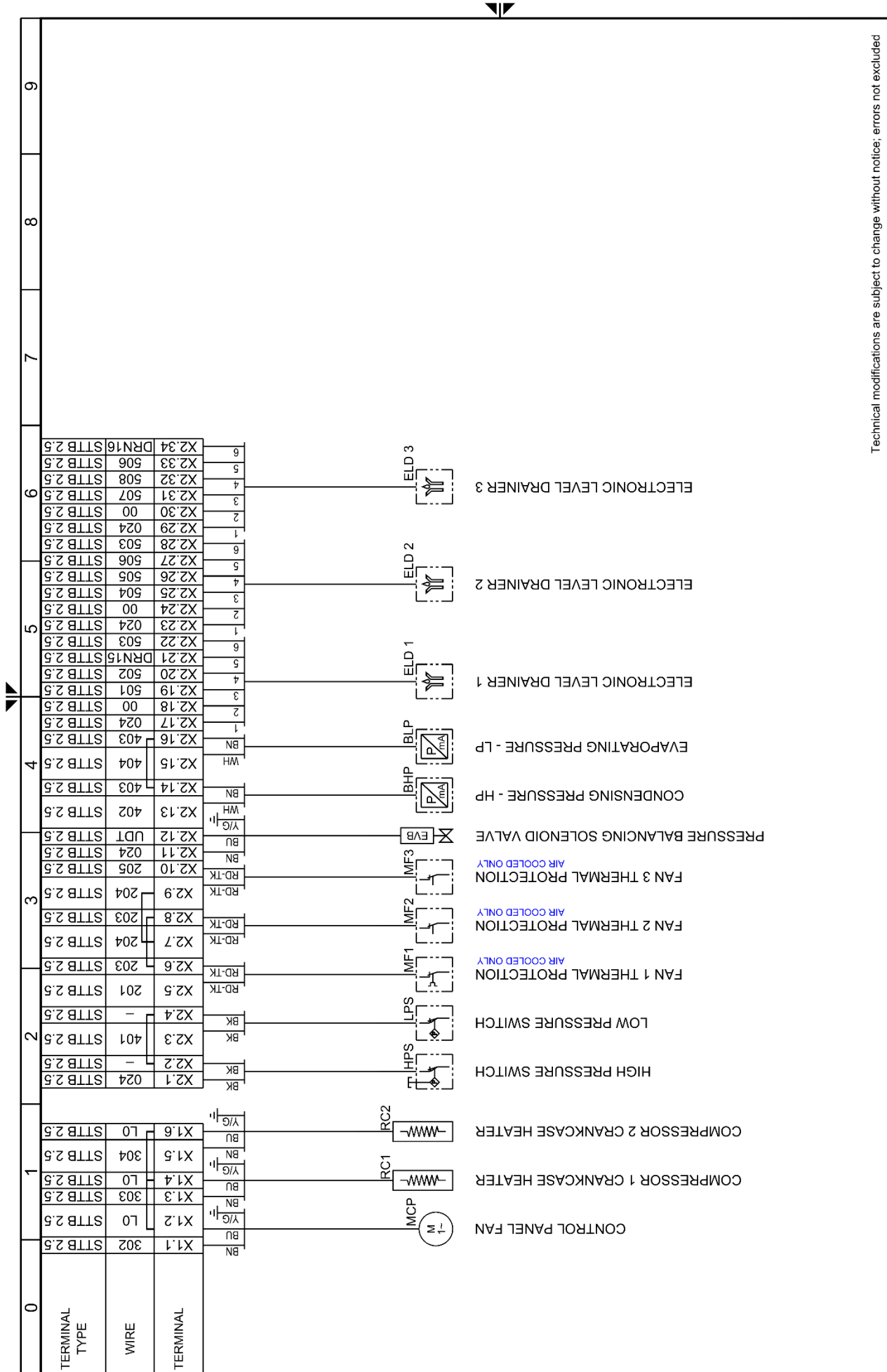
Rev.

WD5478QCD053_V00

Note :

Sheet 07 of 09

13.3.1 DRYPOINT RA 5400-6600 eco

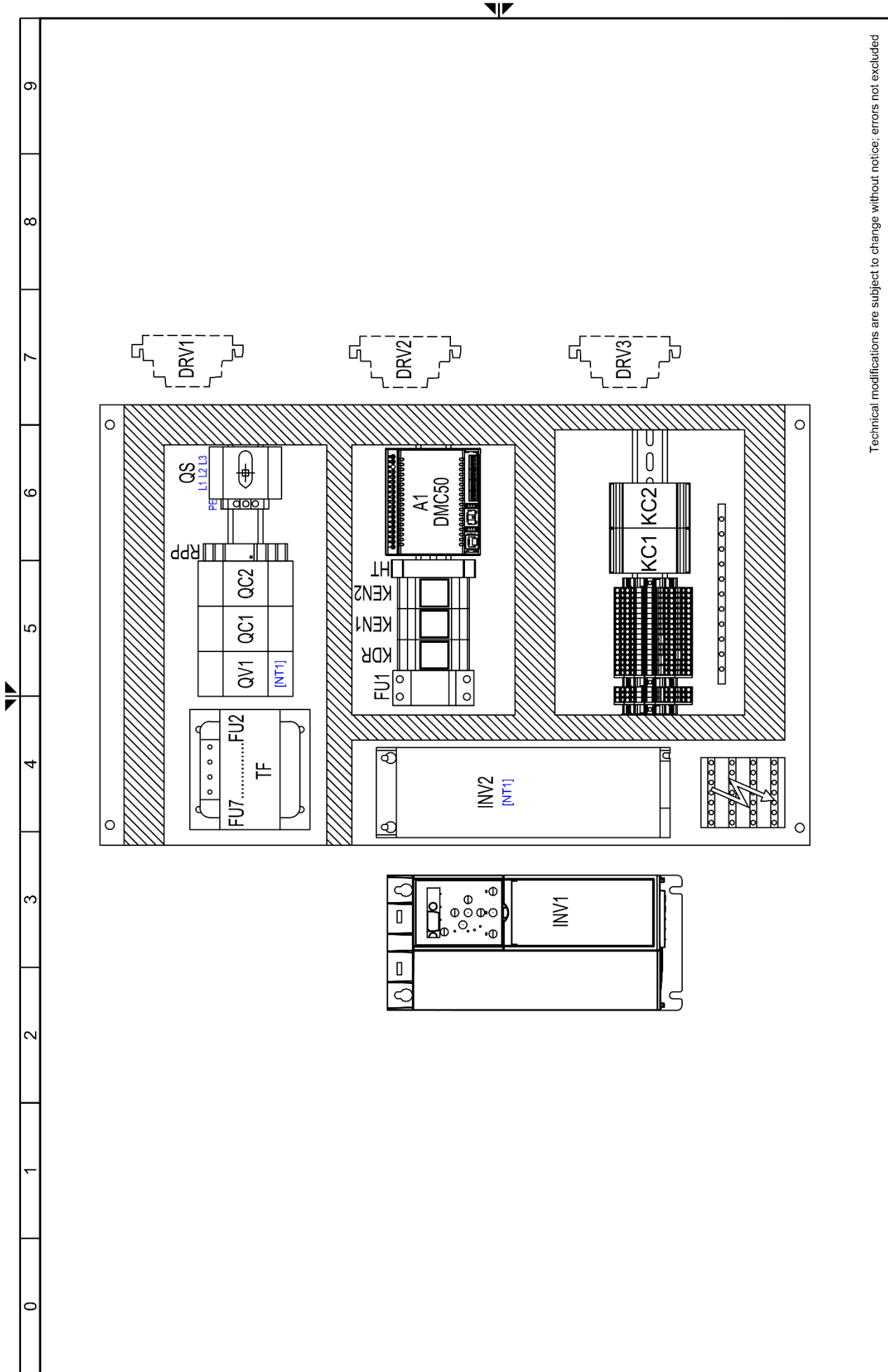


Technical modifications are subject to change without notice; errors not excluded

Drawing no.: **WD5478QCD053_V00**
 Rev. **00**

Note: **08 of 09**
 Sheet **08 of 09**

13.3.1 DRYPOINT RA 5400-6600 eco



Technical modifications are subject to change without notice, errors not excluded

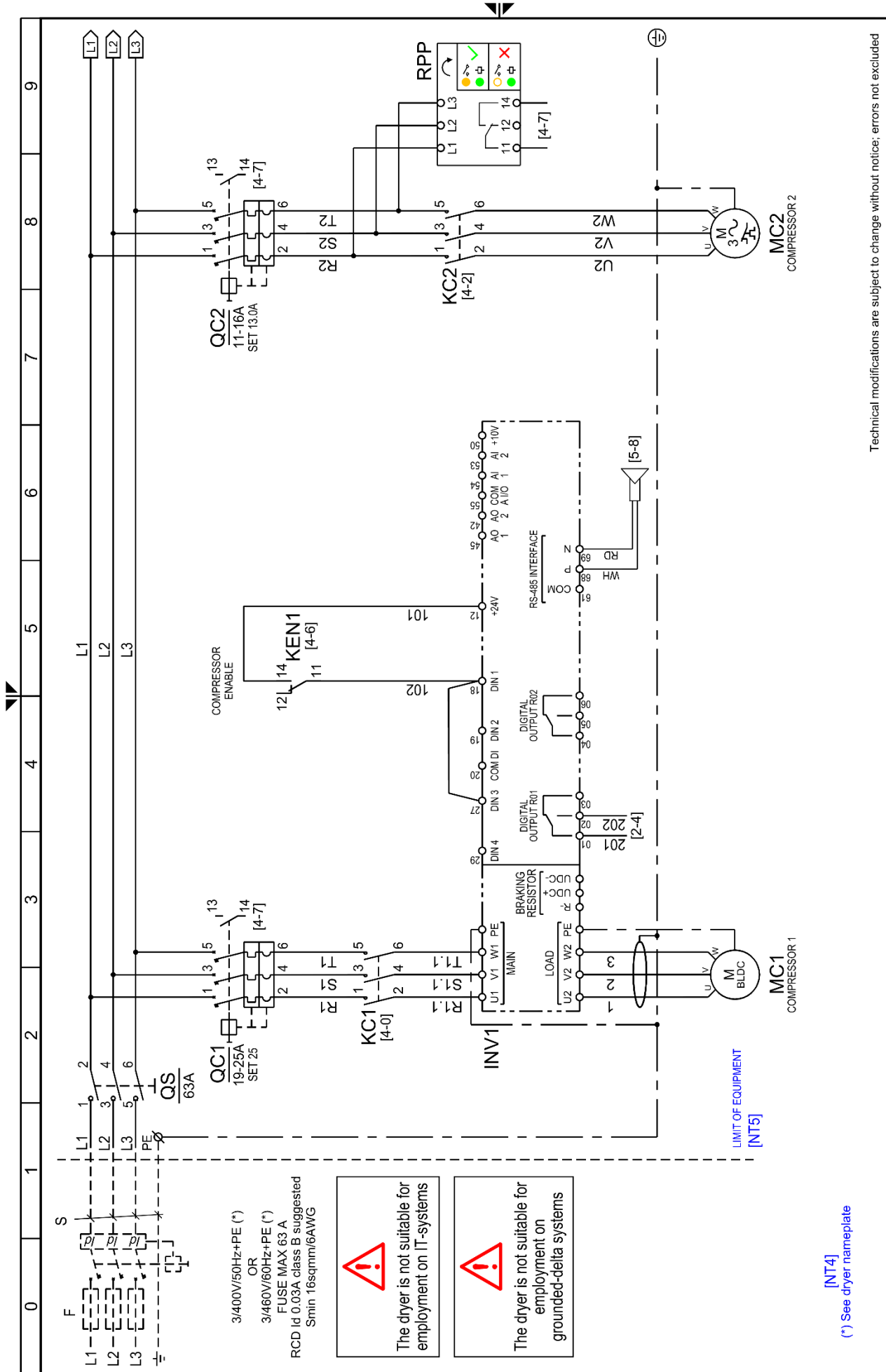
Drawing no. : WD5478QCD053_V00

Rev. 00

Note : -

Sheet 09 of 09

13.3.2 DRYPOINT RA 7200 eco



3/400V/50Hz+PE (*)
OR
3/460V/60Hz+PE (*)
FUSE MAX 63 A
RCD Id 0.03A class B suggested
Smin 16sqmm/6AWG

!
The dryer is not suitable for employment on IT-systems

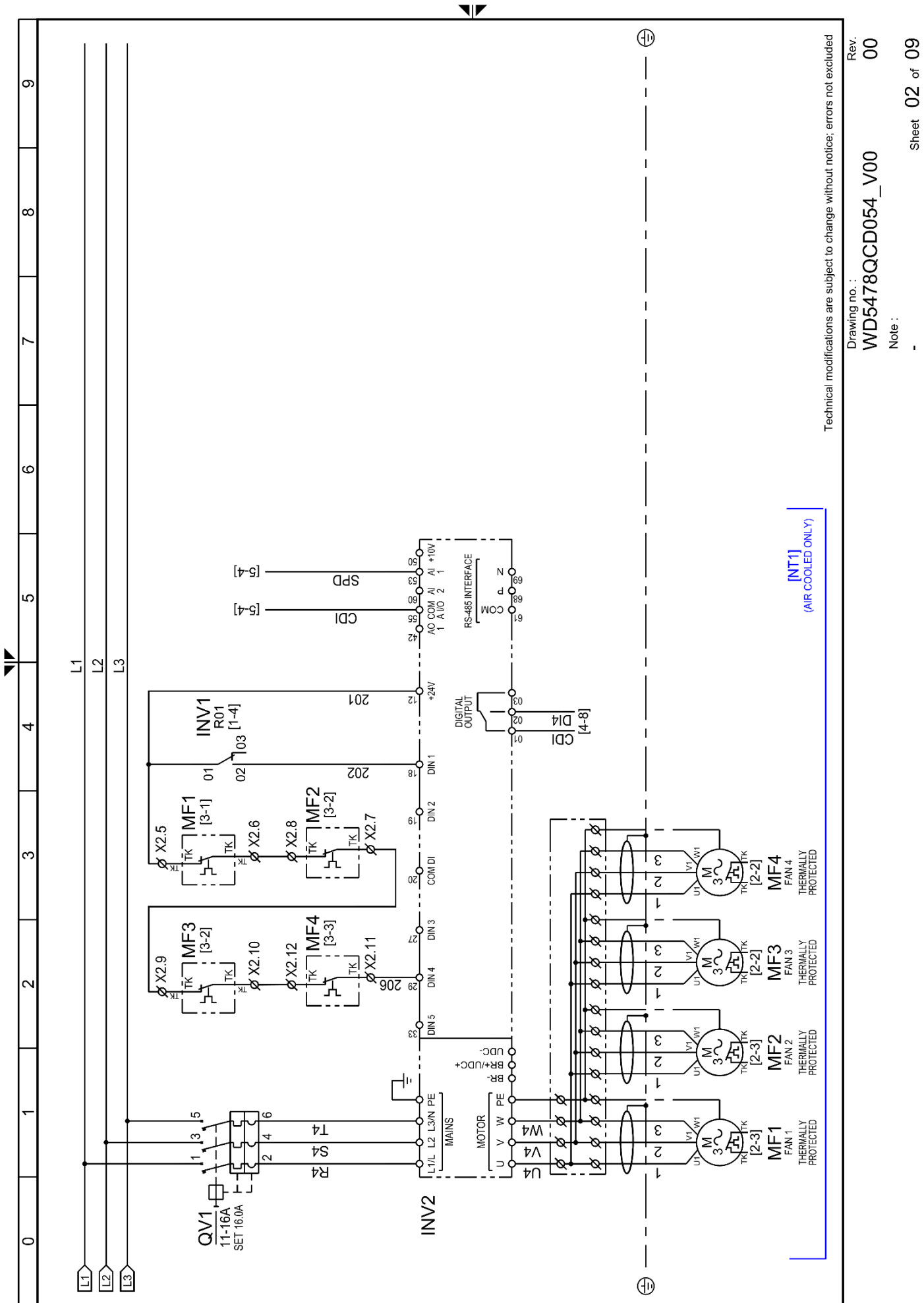
!
The dryer is not suitable for employment on grounded-delta systems

[INT4]
(*) See dryer nameplate

Technical modifications are subject to change without notice; errors not excluded

Drawing no.: **WD5478QCD054_V00**
Rev. **00**
Note: -
Sheet **01** of **09**

13.3.2 DRYPOINT RA 7200 eco



[NT1] (AIR COOLED ONLY)

Technical modifications are subject to change without notice; errors not excluded

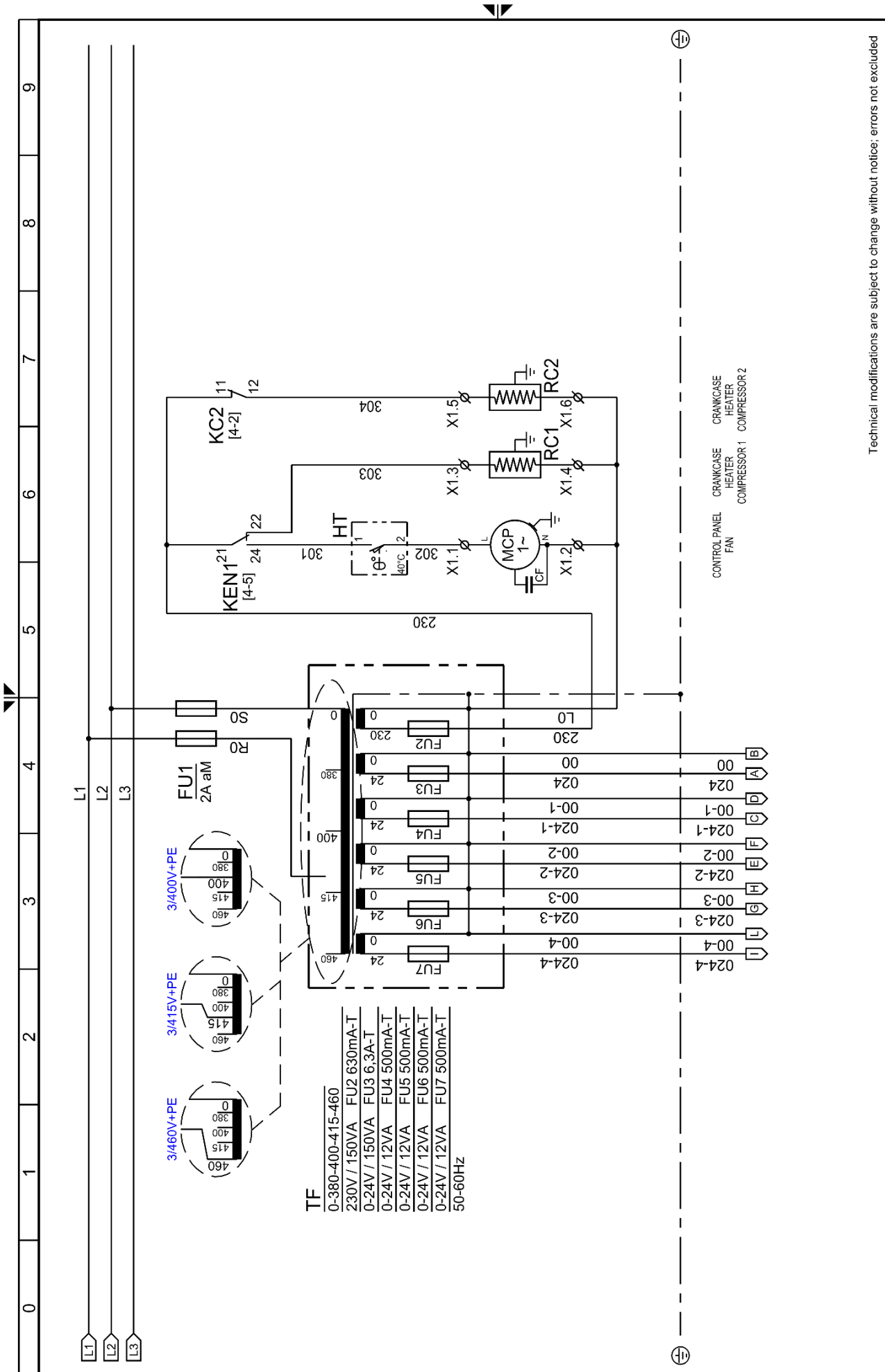
Drawing no. : WD5478QCD054_V00

Rev. 00

Note :

Sheet 02 of 09

13.3.2 DRYPOINT RA 7200 eco

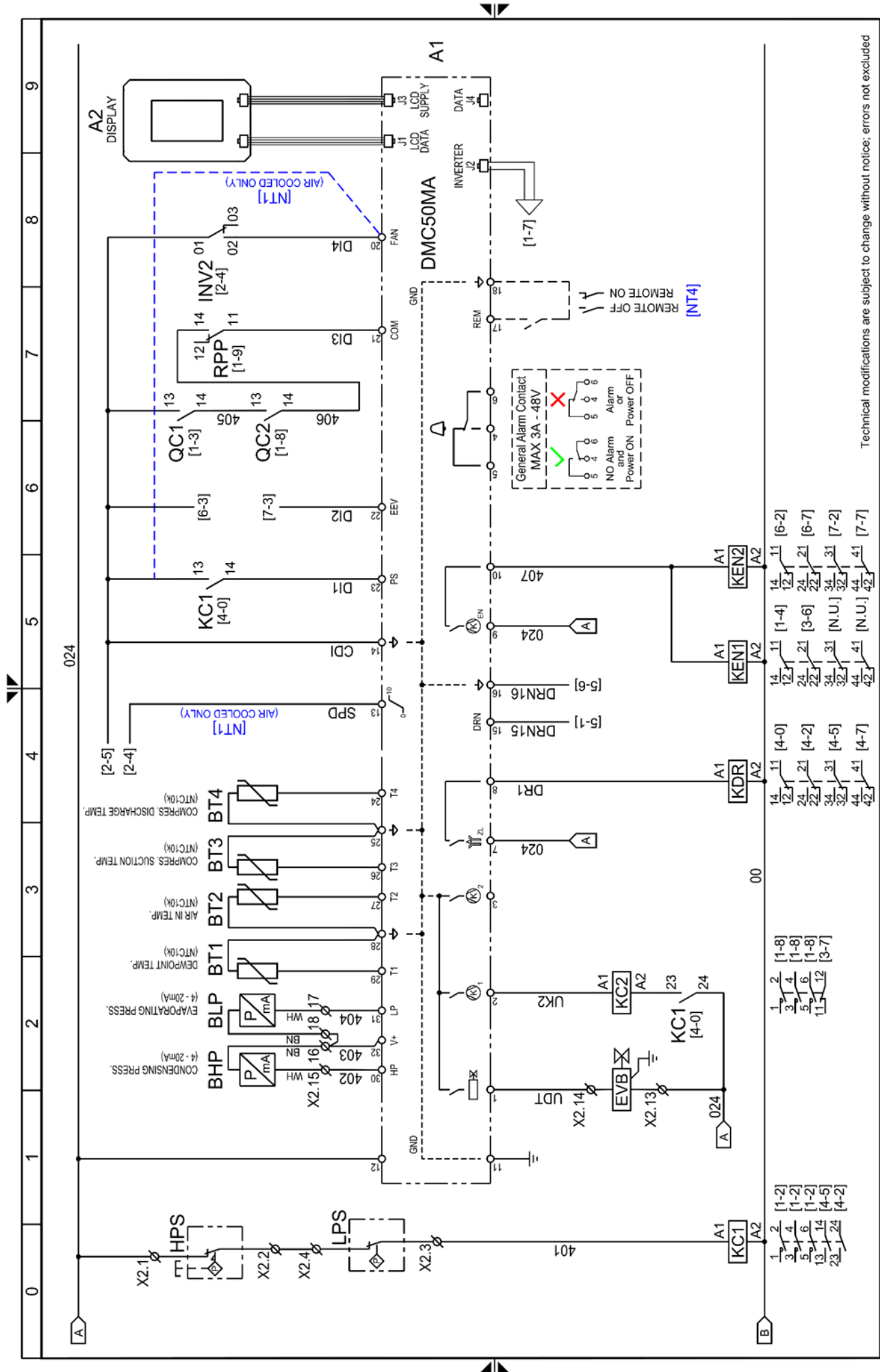


Technical modifications are subject to change without notice; errors not excluded

Drawing no.: **WD5478QCD054_V00** Rev. **00**

Note: **Sheet 03 of 09**

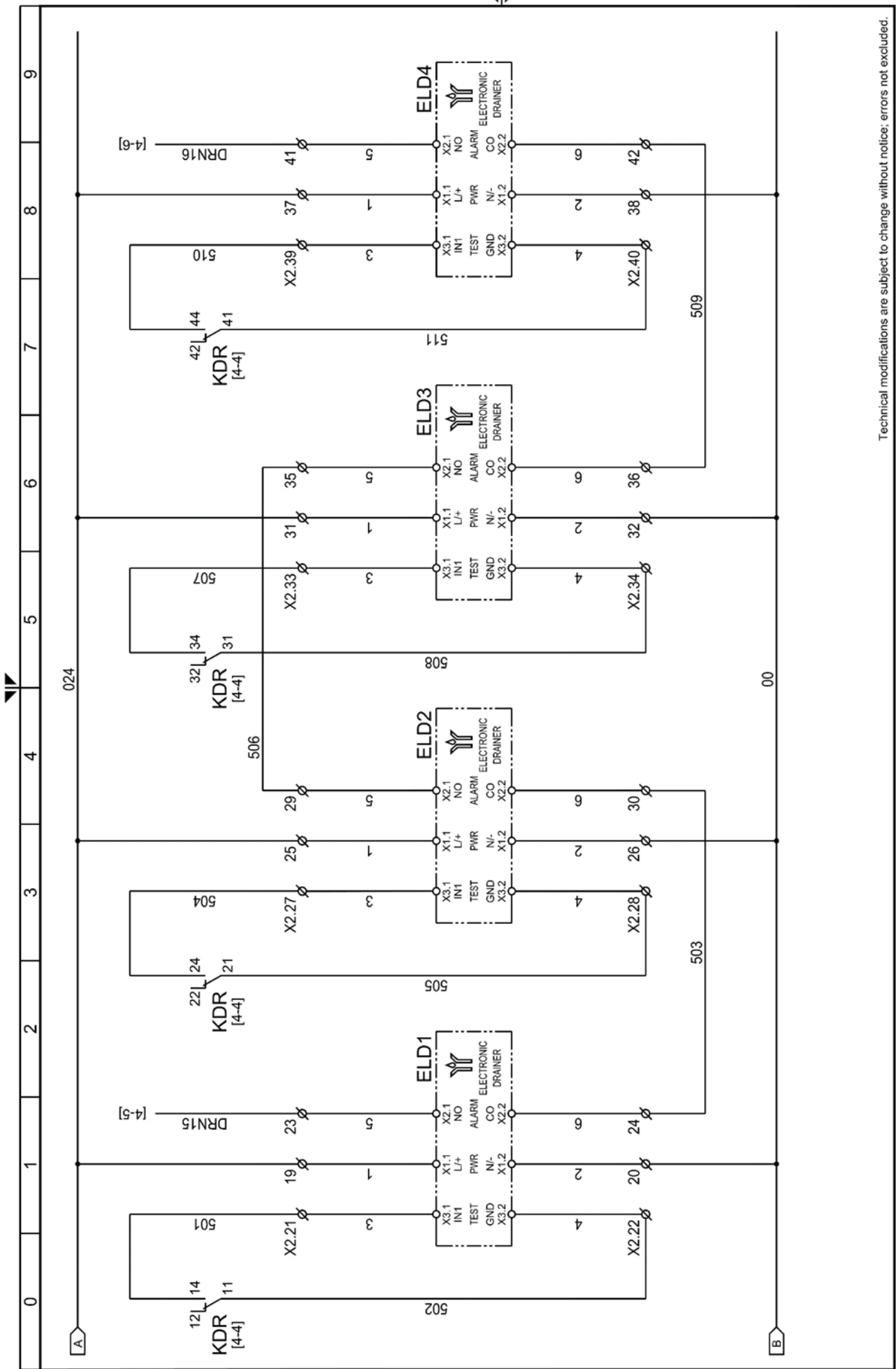
13.3.2 DRYPOINT RA 7200 eco



Technical modifications are subject to change without notice; errors not excluded

Drawing no.: **WD5478QCD054_V00**
 Rev. **00**
 Note: **04 of 09**

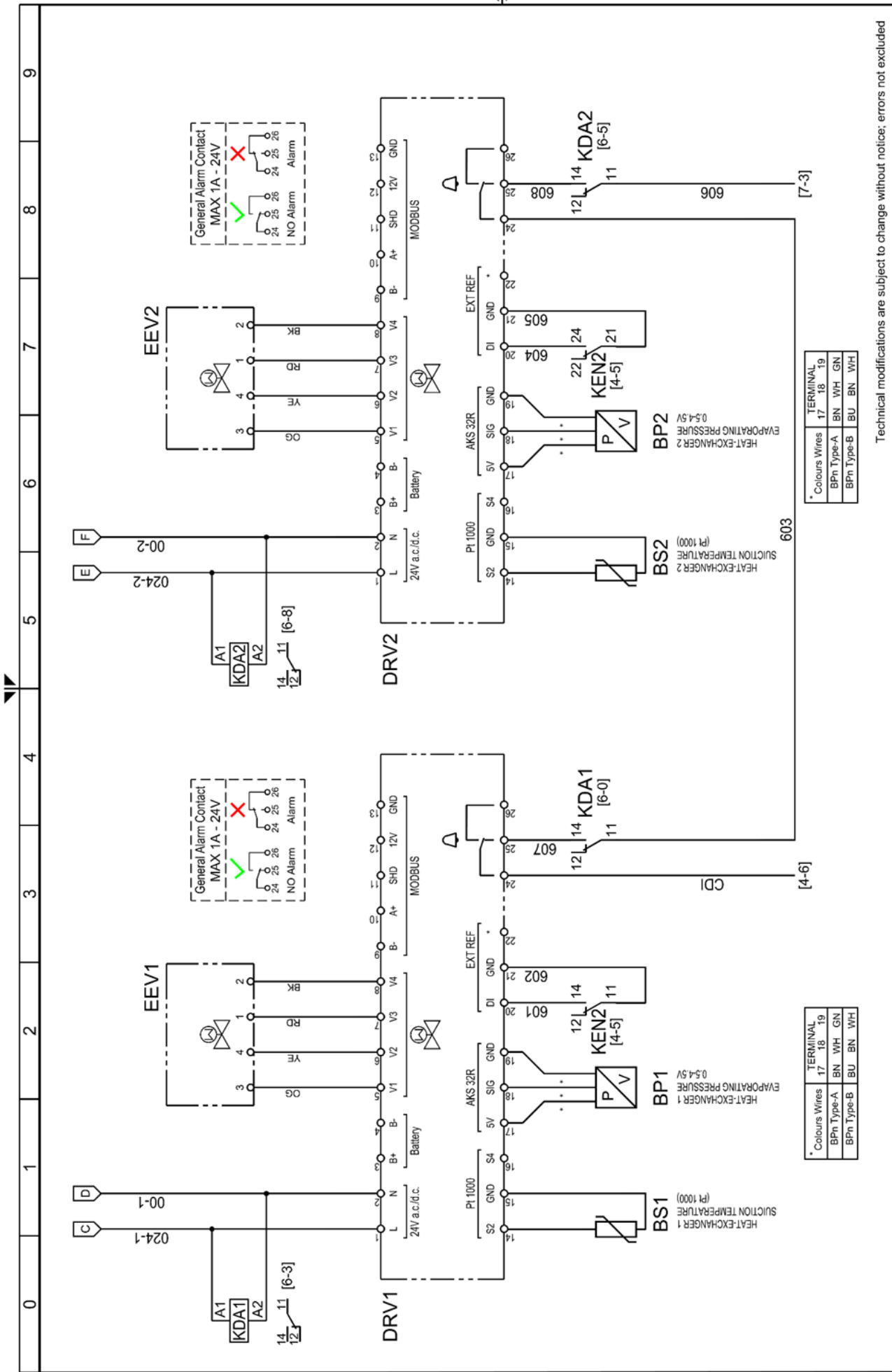
13.3.2 DRYPOINT RA 7200 eco



Technical modifications are subject to change without notice; errors not excluded.

Drawing no.: **WD5478QCD054_V00**
 Rev. **00**
 Note: -
 Sheet **05** of **09**

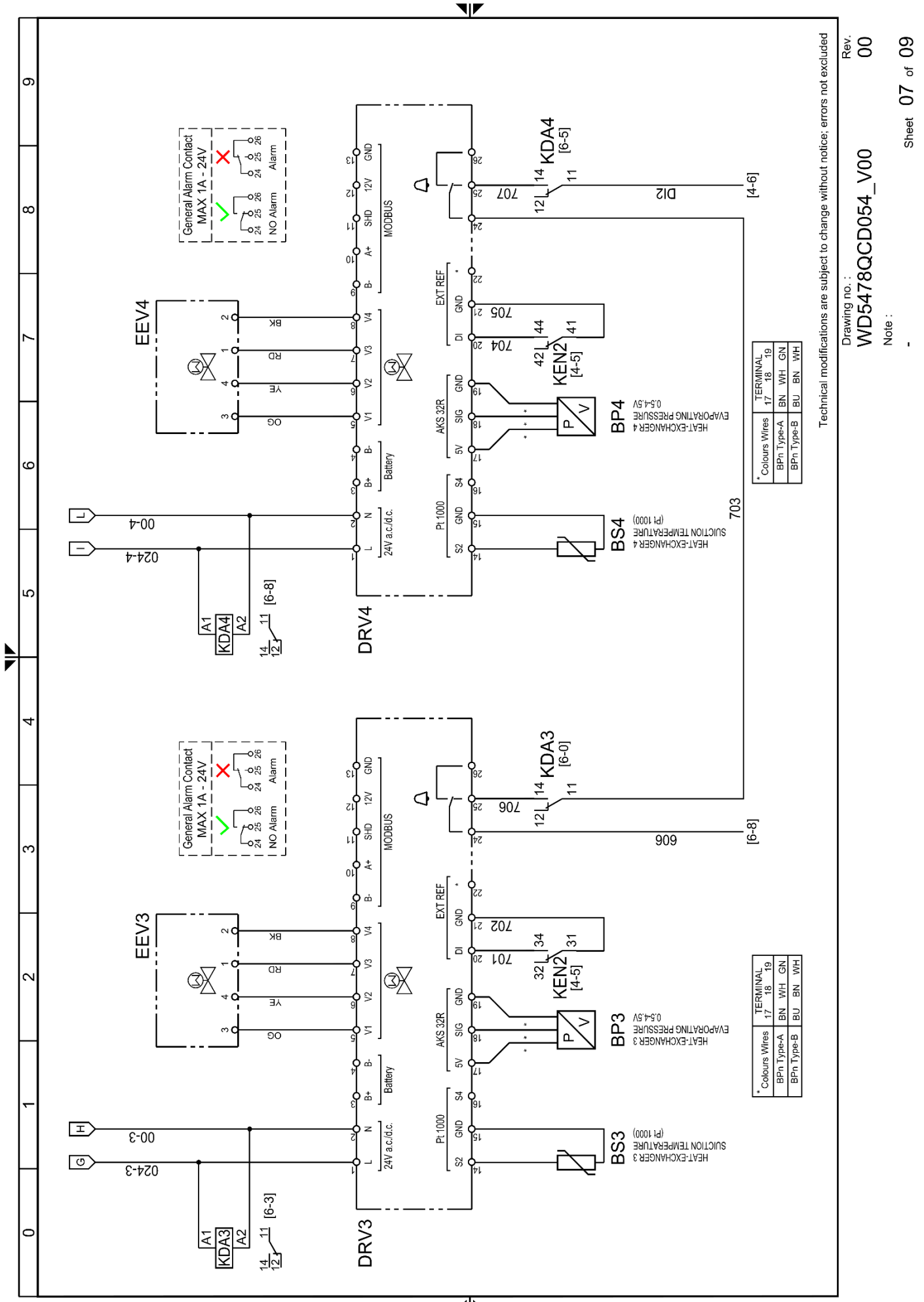
13.3.2 DRYPOINT RA 7200 eco



Technical modifications are subject to change without notice; errors not excluded

Drawing no.: **WD5478QCD054_V00**
 Rev.: **00**
 Note: -

13.3.2 DRYPOINT RA 7200 eco



Technical modifications are subject to change without notice; errors not excluded

Rev.

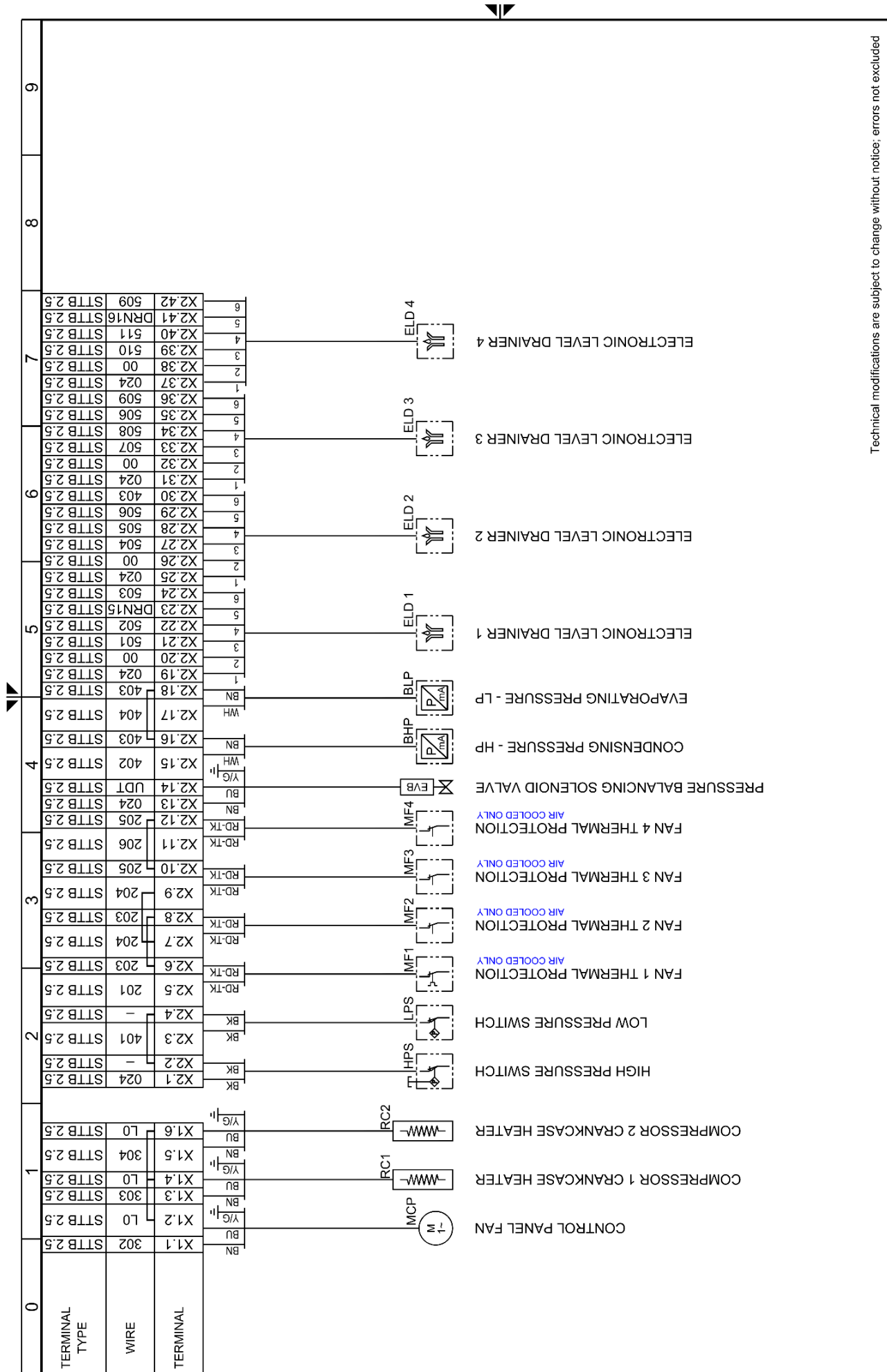
WD5478QCD054_V00

00

Note :

Sheet 07 of 09

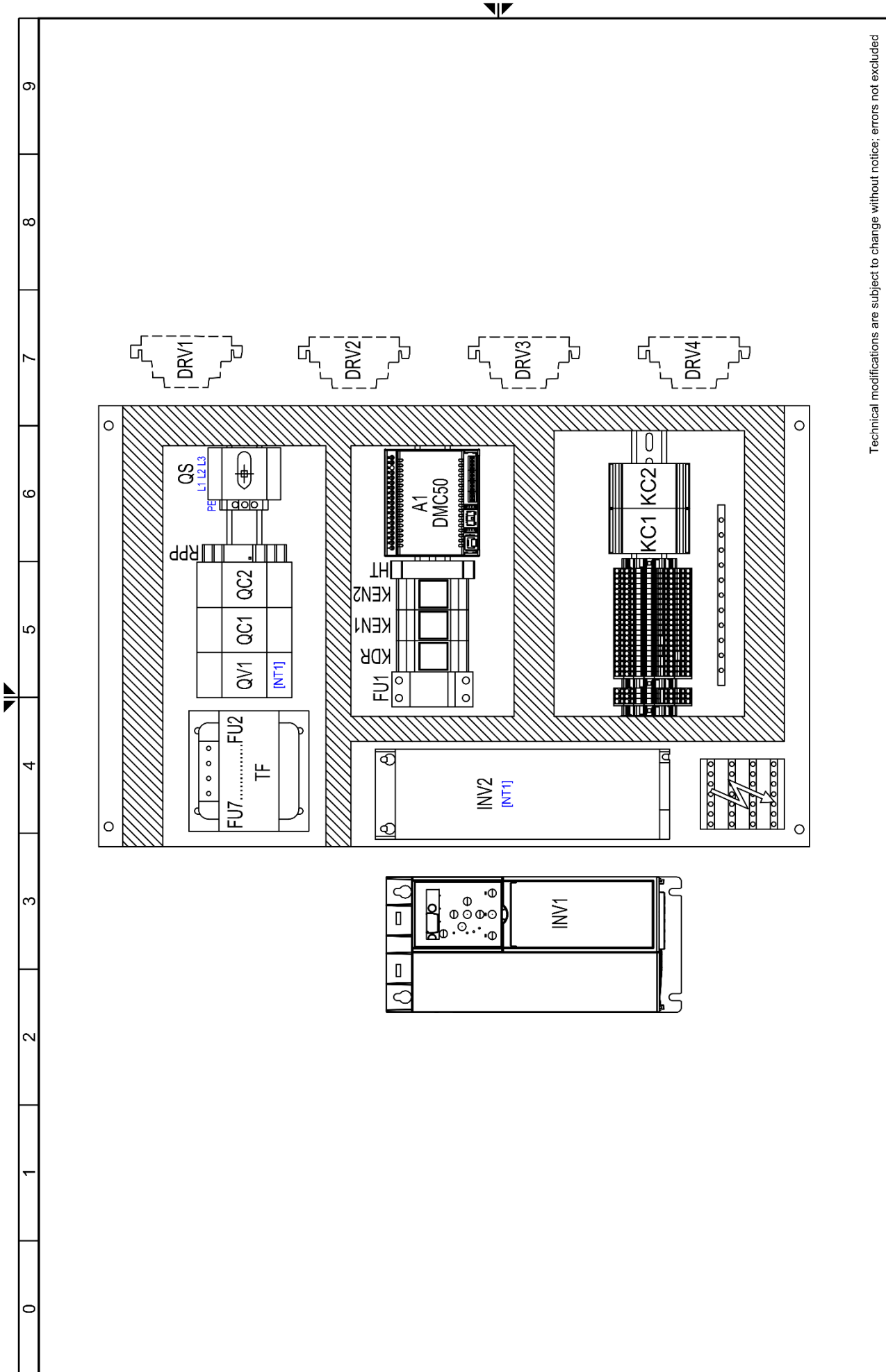
13.3.2 DRYPOINT RA 7200 eco



Technical modifications are subject to change without notice; errors not excluded

Drawing no. : WD5478QCD054_V00
 Rev. : 00
 Note :
 Sheet 08 of 09

13.3.2 DRYPOINT RA 7200 eco

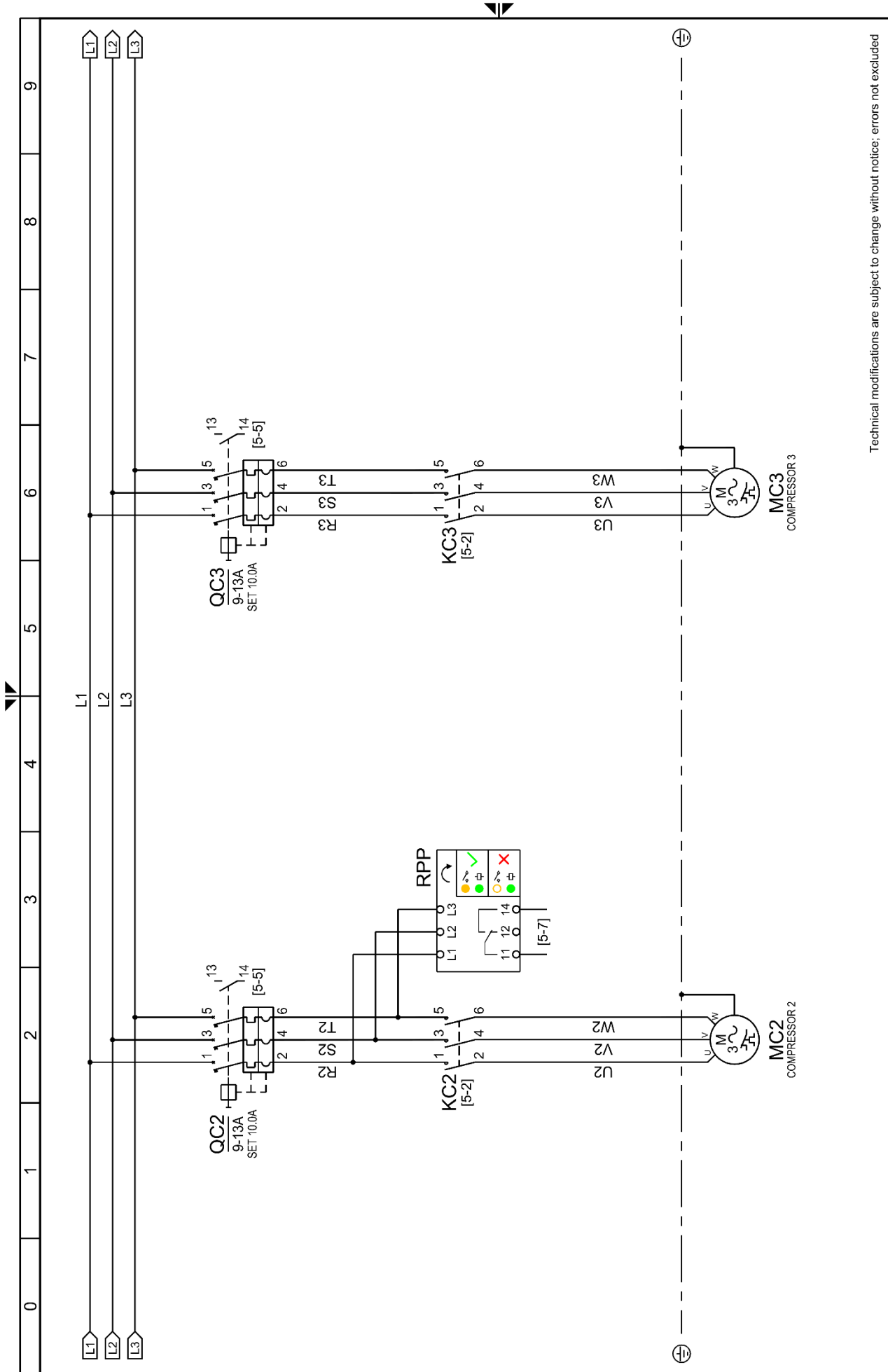


Technical modifications are subject to change without notice; errors not excluded

Drawing no. : **WD5478QCD054_V00** Rev. **00**

Note : Sheet **09** of **09**

13.3.3 DRYPOINT RA 8800 eco



Technical modifications are subject to change without notice; errors not excluded

Rev.

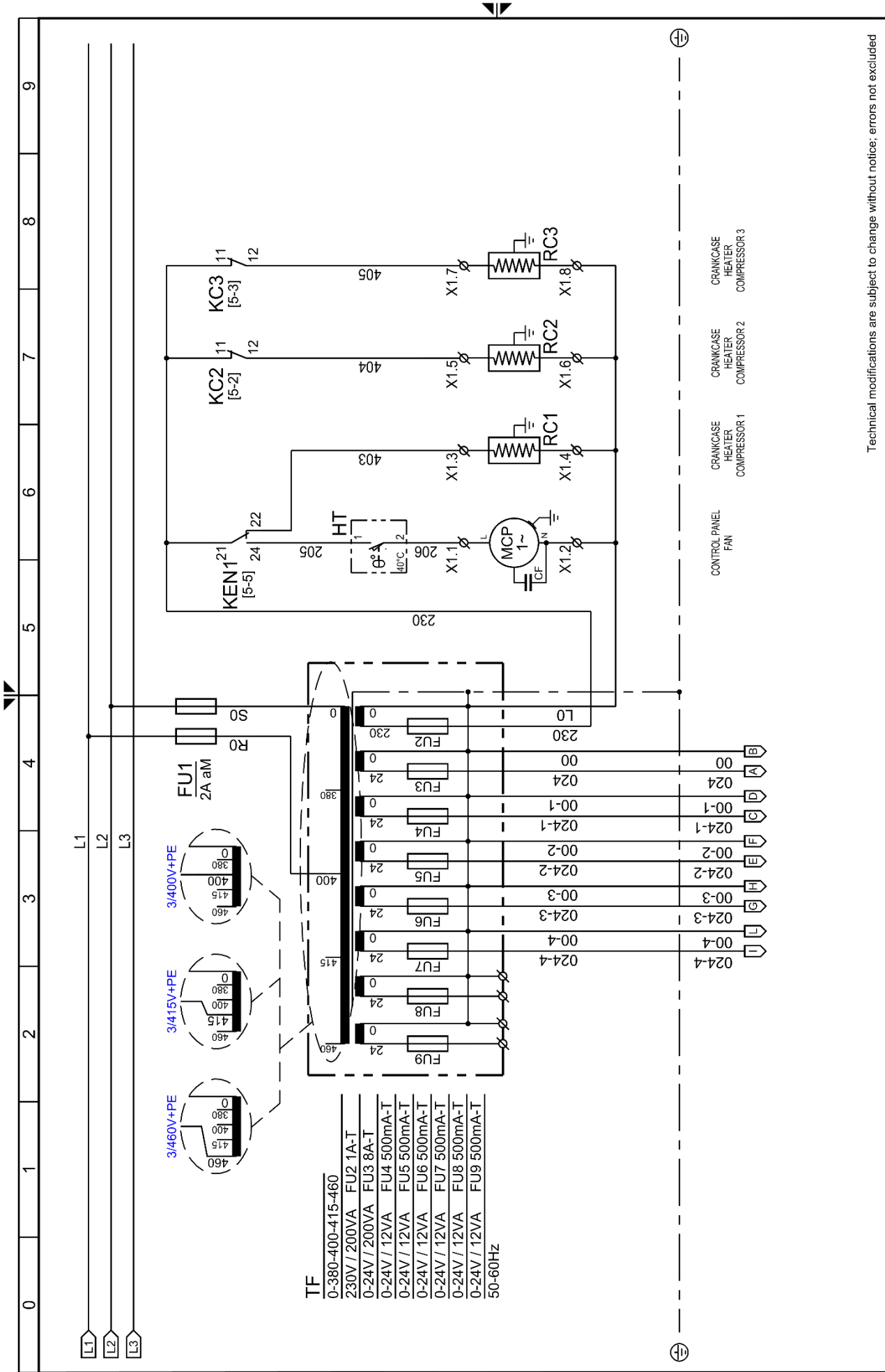
WD5478QCD055_V00

00

Note:

Sheet 02 of 10

13.3.3 DRYPOINT RA 8800 eco



Technical modifications are subject to change without notice; errors not excluded

Rev.

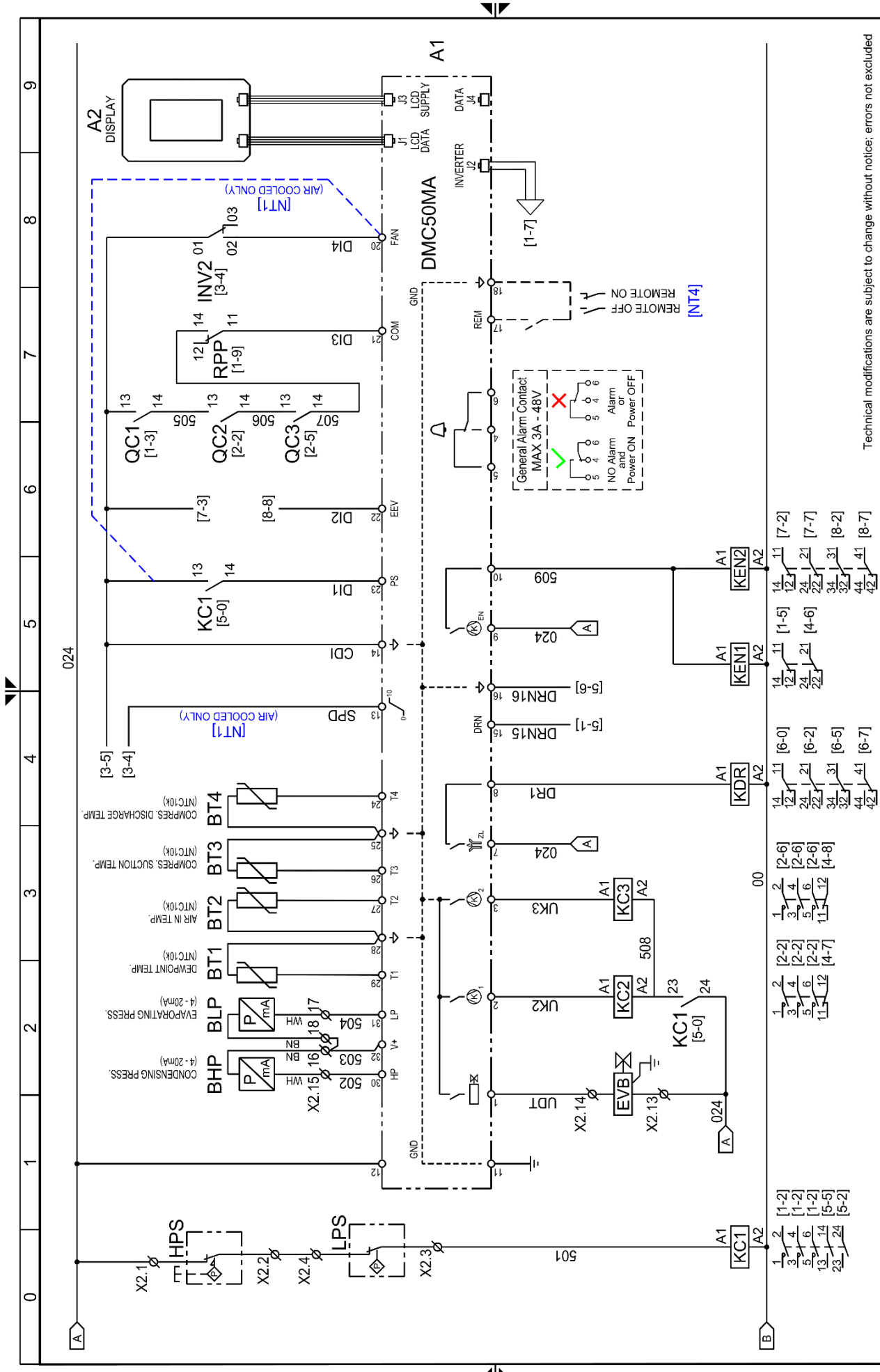
WD5478QCD055_V00

00

Note :

Sheet 04 of 10

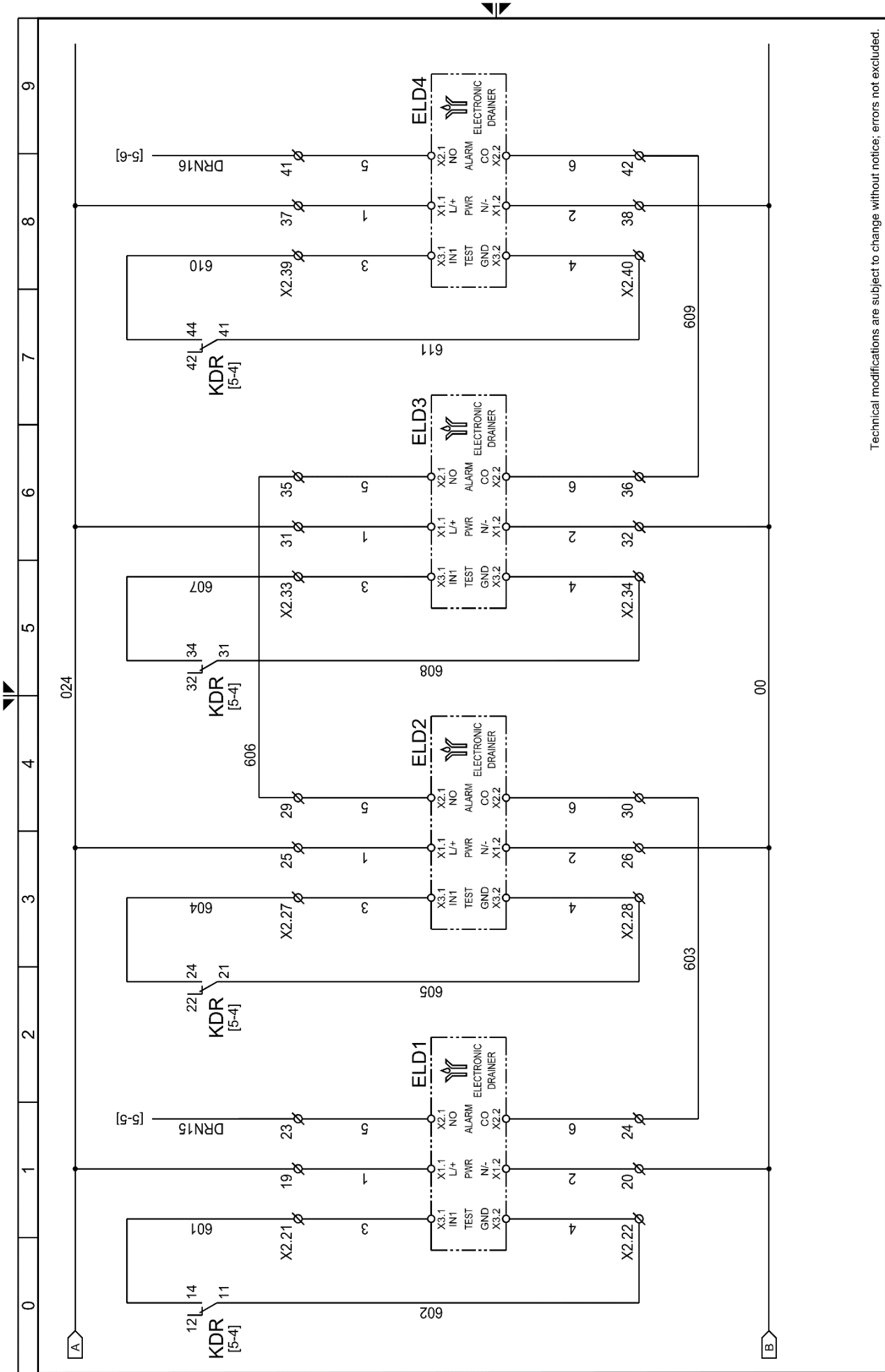
13.3.3 DRYPOINT RA 8800 eco



Technical modifications are subject to change without notice; errors not excluded

Drawing no.: **WD5478QCD055_V00**
 Rev. **00**
 Note: -
 Sheet **05** of **10**

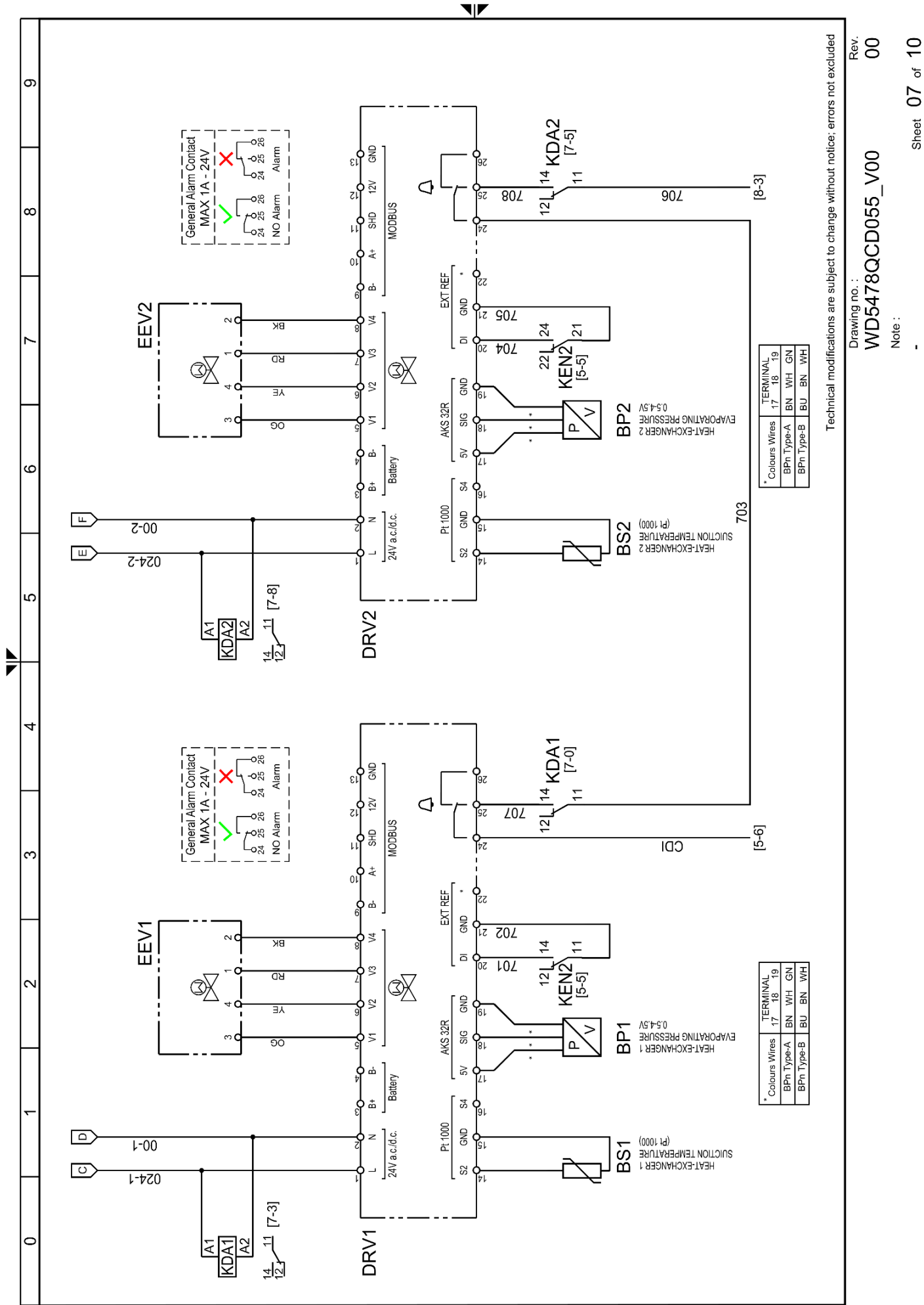
13.3.3 DRYPOINT RA 8800 eco



Technical modifications are subject to change without notice; errors not excluded.

Drawing no.: **WD5478QCD055_V00**
 Rev. **00**
 Note: **06 of 10**

13.3.3 DRYPOINT RA 8800 eco



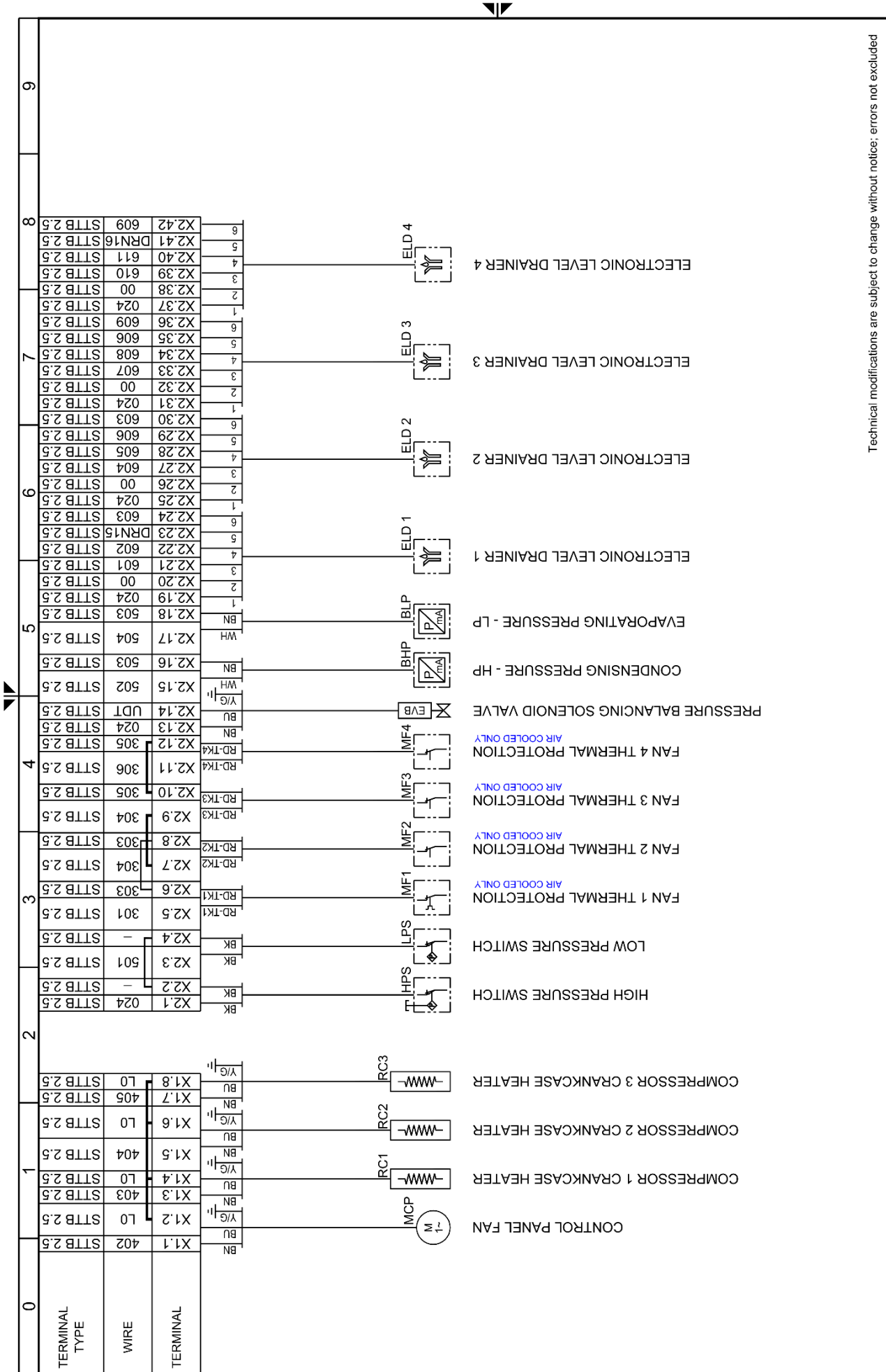
Technical modifications are subject to change without notice; errors not excluded

Drawing no.: **WD5478QCD055_V00** Rev. **00**

Note: -

Sheet **07** of **10**

13.3.3 DRYPOINT RA 8800 eco



Technical modifications are subject to change without notice; errors not excluded

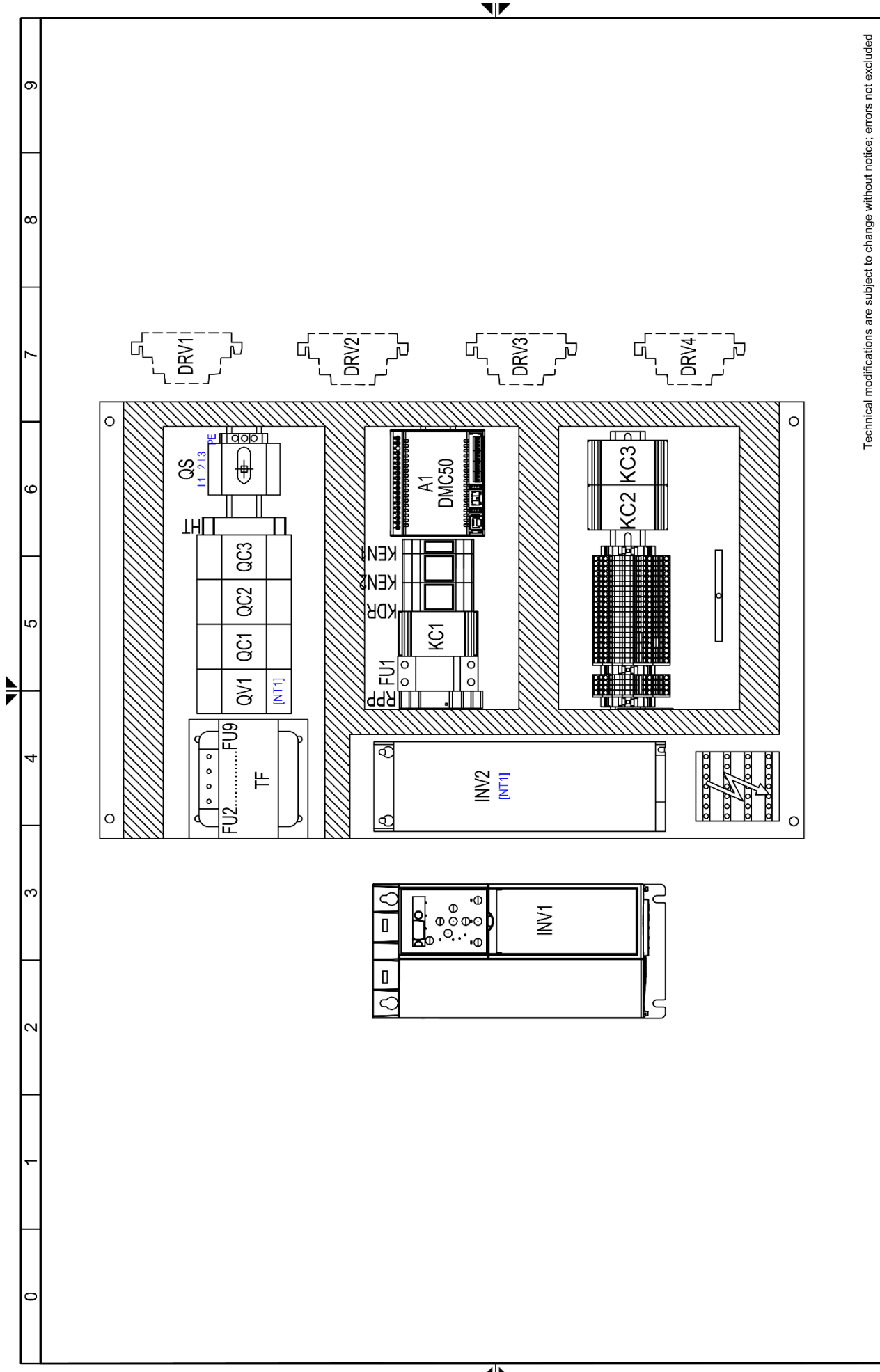
Drawing no. : WD5478QCD055_V00

Rev. : 00

Note :

Sheet 09 of 10

13.3.3 DRYPOINT RA 8800 eco



Technical modifications are subject to change without notice; errors not excluded

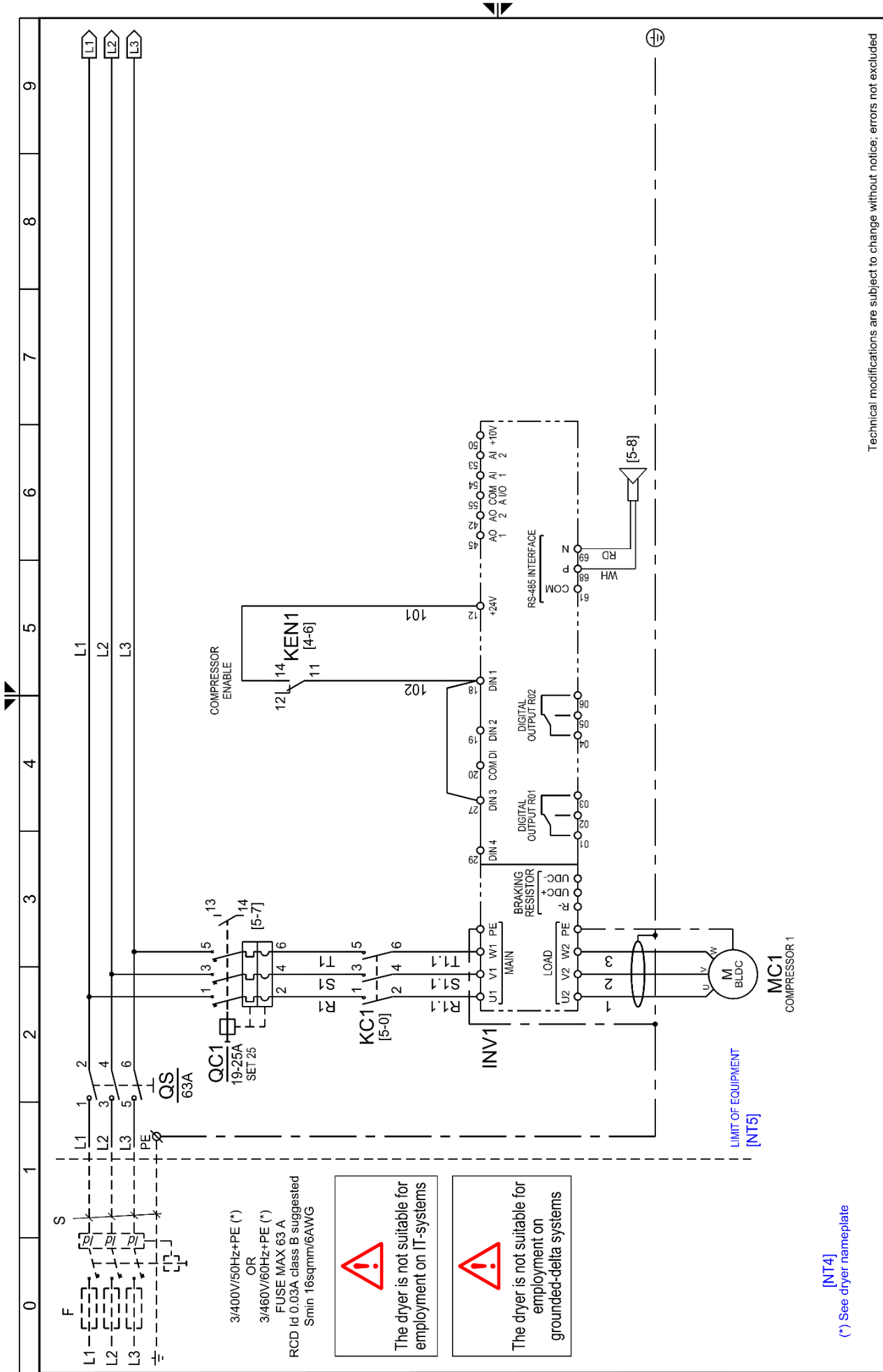
Drawing no. : Rev. 00

WD5478QCD055_V00

Note : -

Sheet 10 of 10

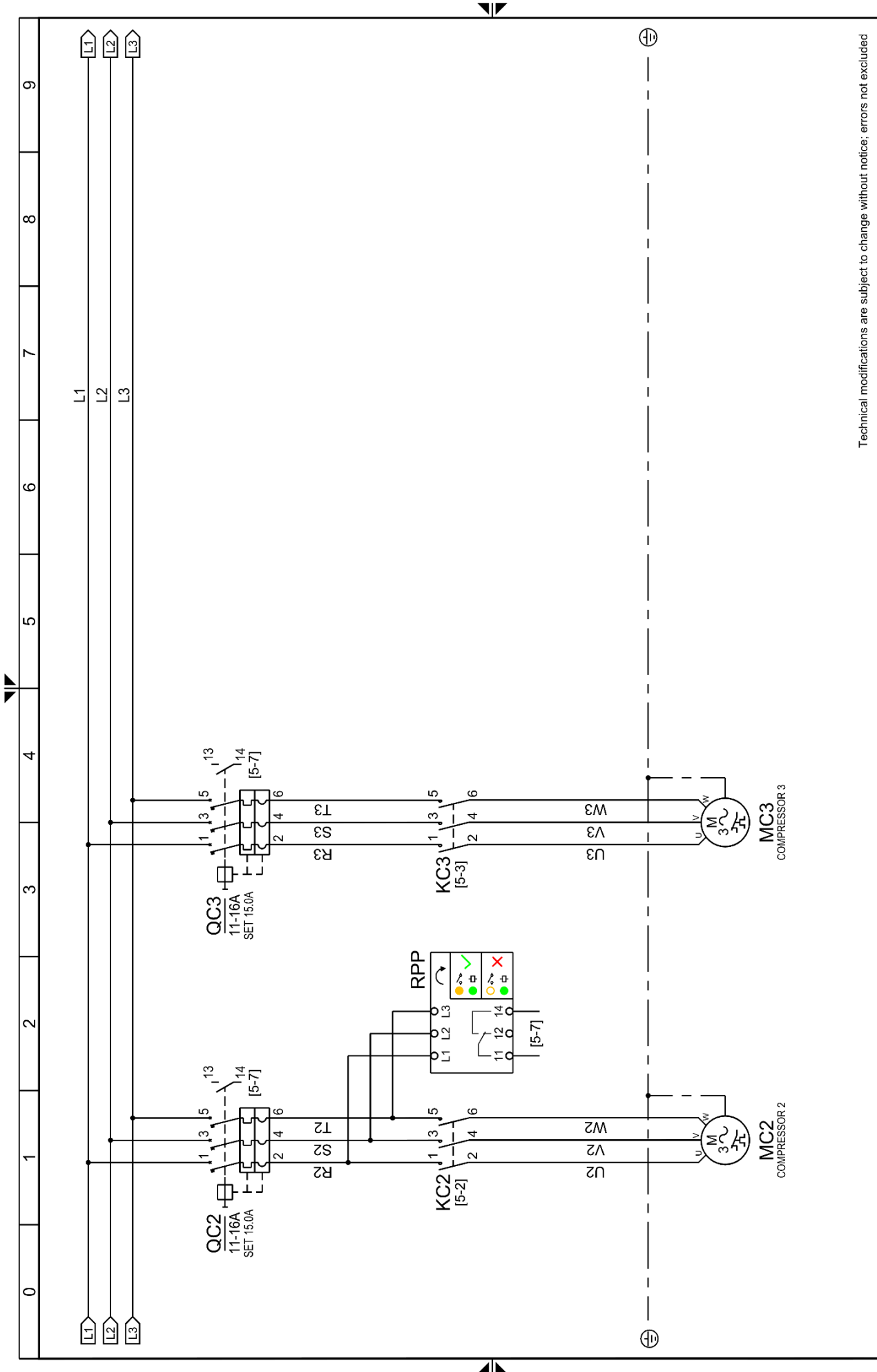
13.3.4 DRYPOINT RA 10800 eco



Technical modifications are subject to change without notice; errors not excluded

Rev. Drawing no.: **WD5478QCD056_V00** 00
 Note: .
 Sheet 01 of 13

13.3.4 DRYPOINT RA 10800 eco



Technical modifications are subject to change without notice; errors not excluded

Rev.

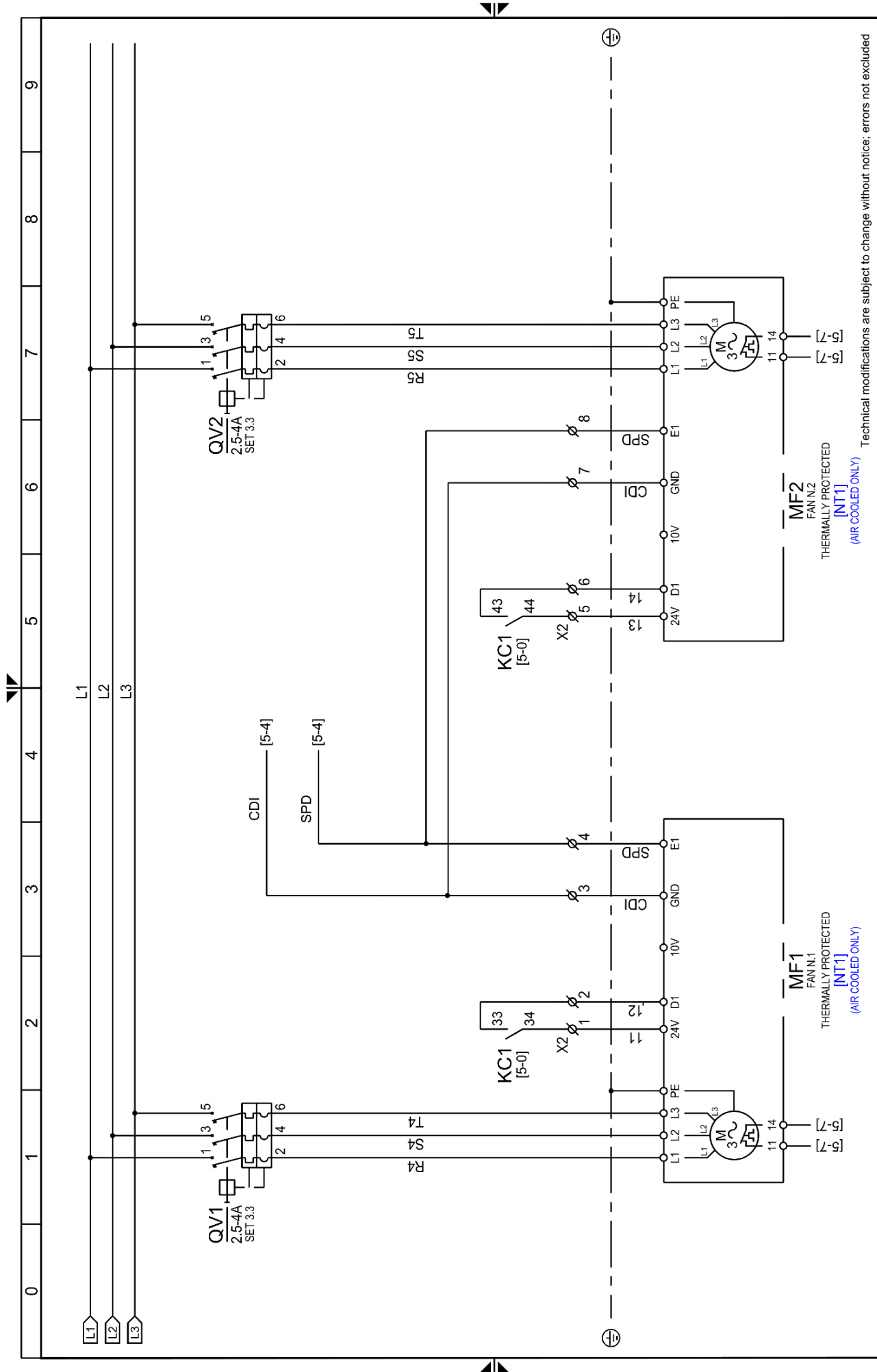
WD5478QCD056_V00

00

Note :

Sheet 02 of 13

13.3.4 DRYPOINT RA 10800 eco

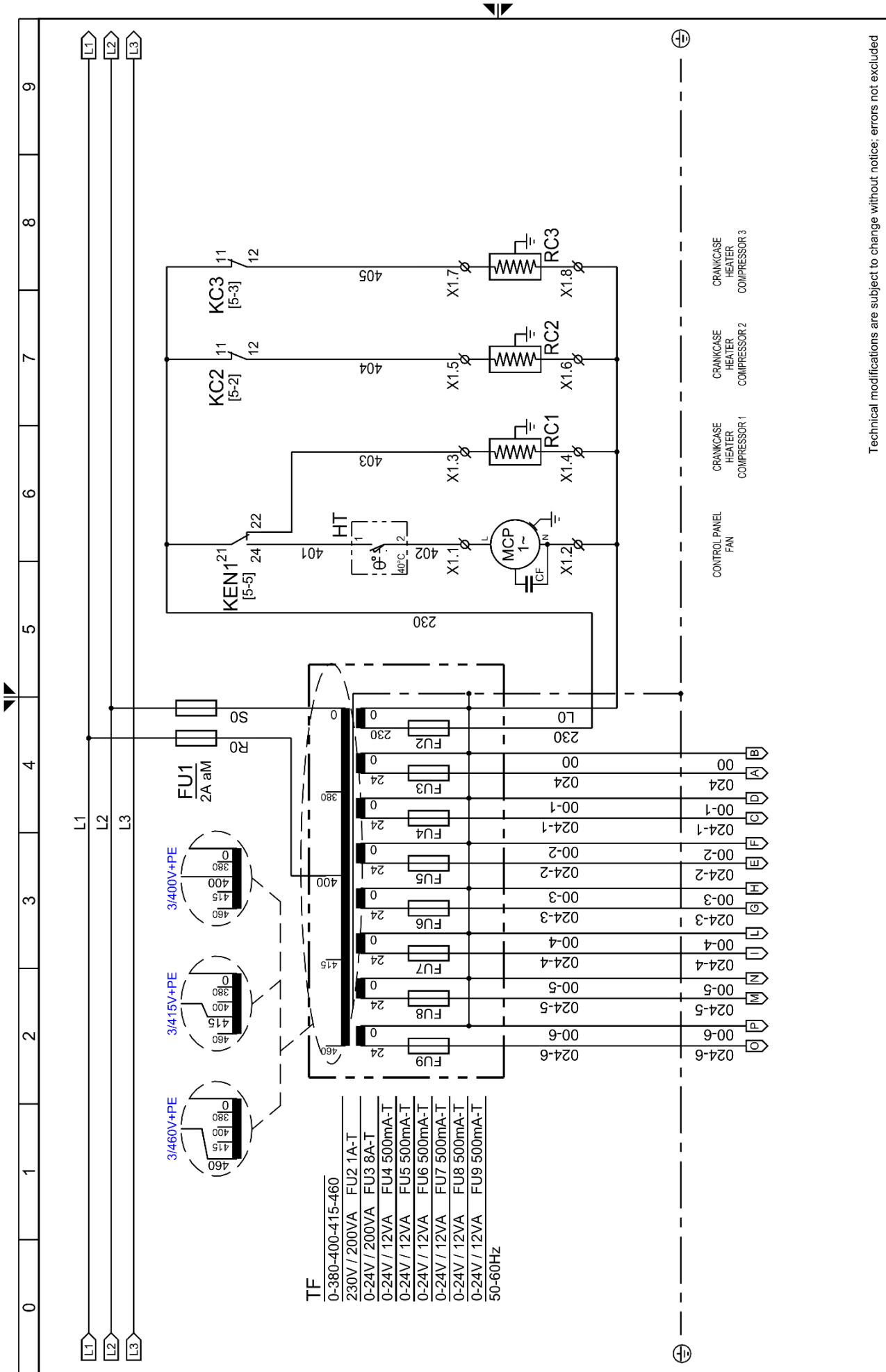


Technical modifications are subject to change without notice; errors not excluded

Drawing no.: **WD5478QCD056_V00**

Rev. **00**
Sheet **03** of **13**

13.3.4 DRYPOINT RA 10800 eco

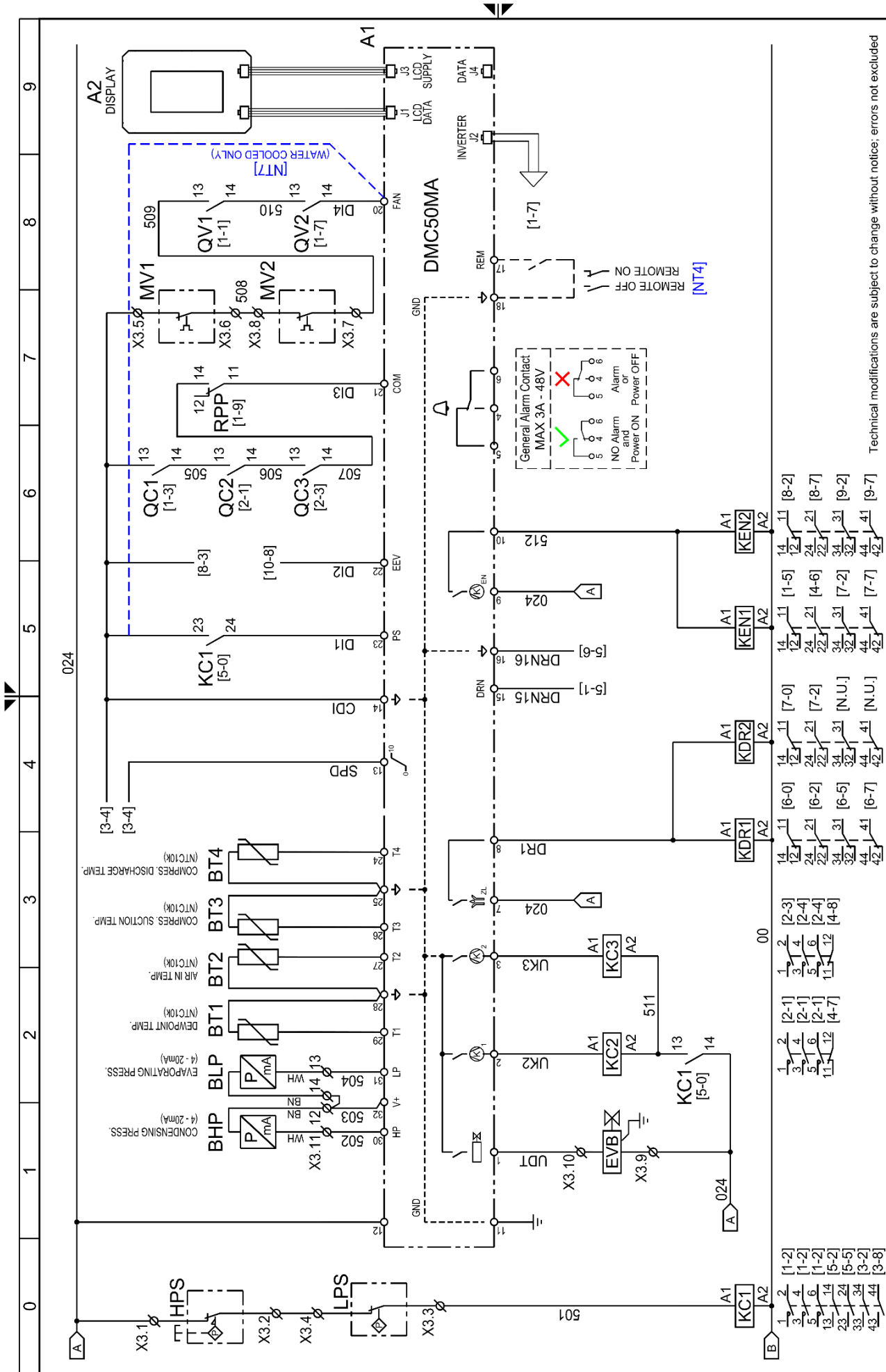


Technical modifications are subject to change without notice; errors not excluded

Drawing no.: **WD5478QCD056_V00**
 Rev. **00**

Note: -
 Sheet **04** of **13**

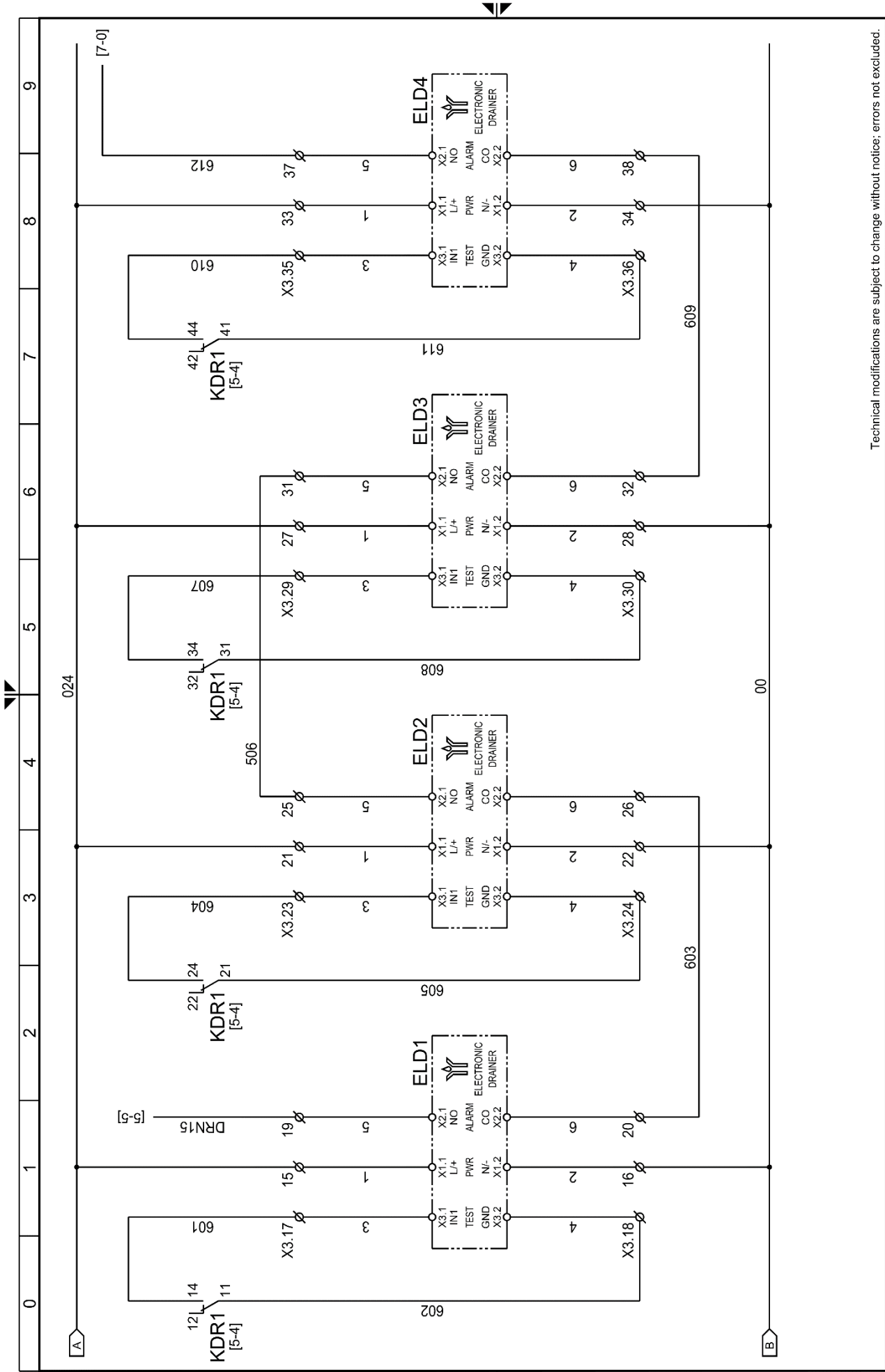
13.3.4 DRYPOINT RA 10800 eco



Technical modifications are subject to change without notice; errors not excluded

Drawing no.: **WD5478QCD056_V00**
 Rev. **00**
 Note: **Sheet 05 of 13**

13.3.4 DRYPOINT RA 10800 eco



Technical modifications are subject to change without notice; errors not excluded.

Rev.

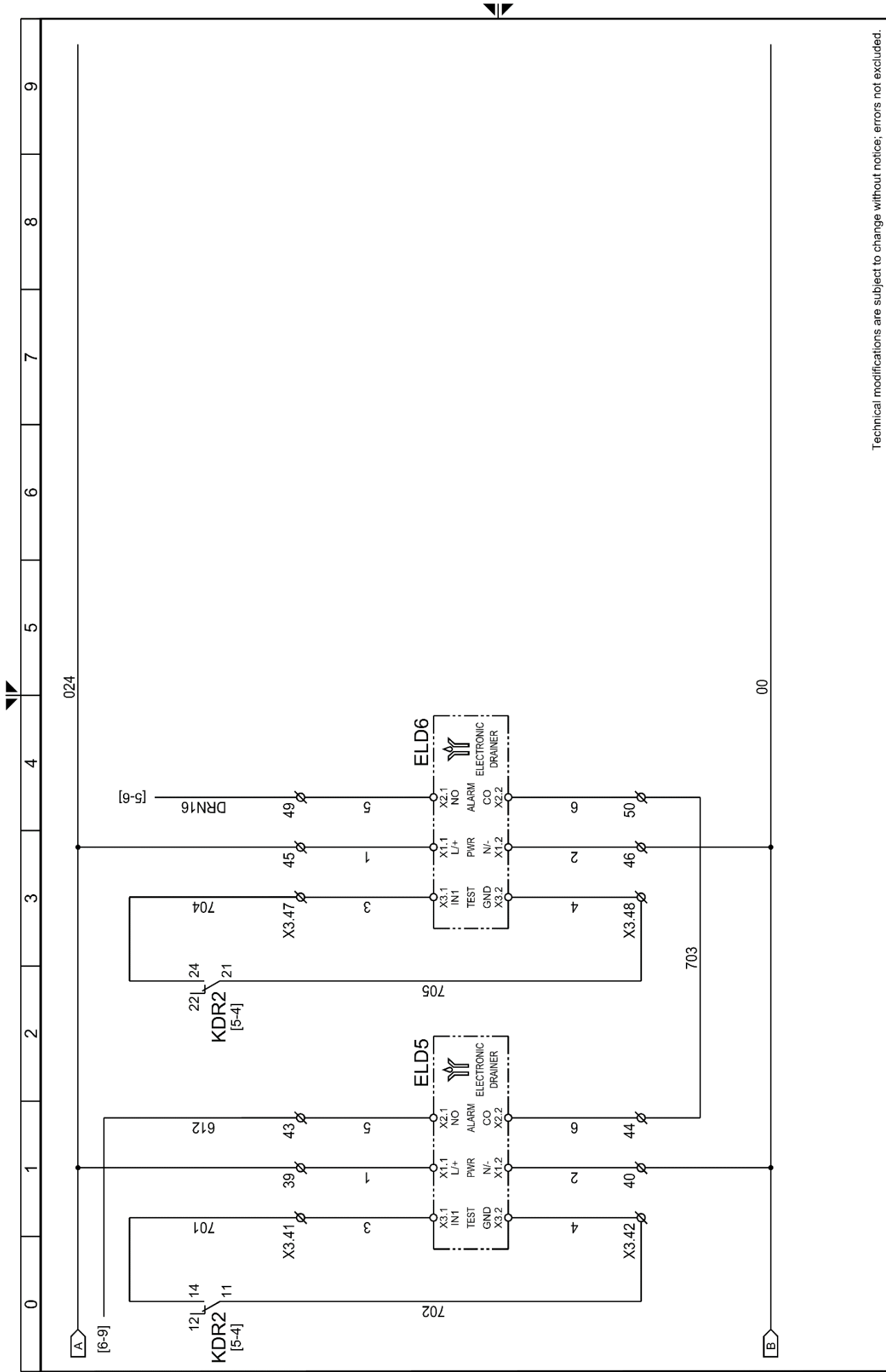
WD5478QCD056_V00

00

Note:

Sheet 06 of 13

13.3.4 DRYPOINT RA 10800 eco



Technical modifications are subject to change without notice; errors not excluded.

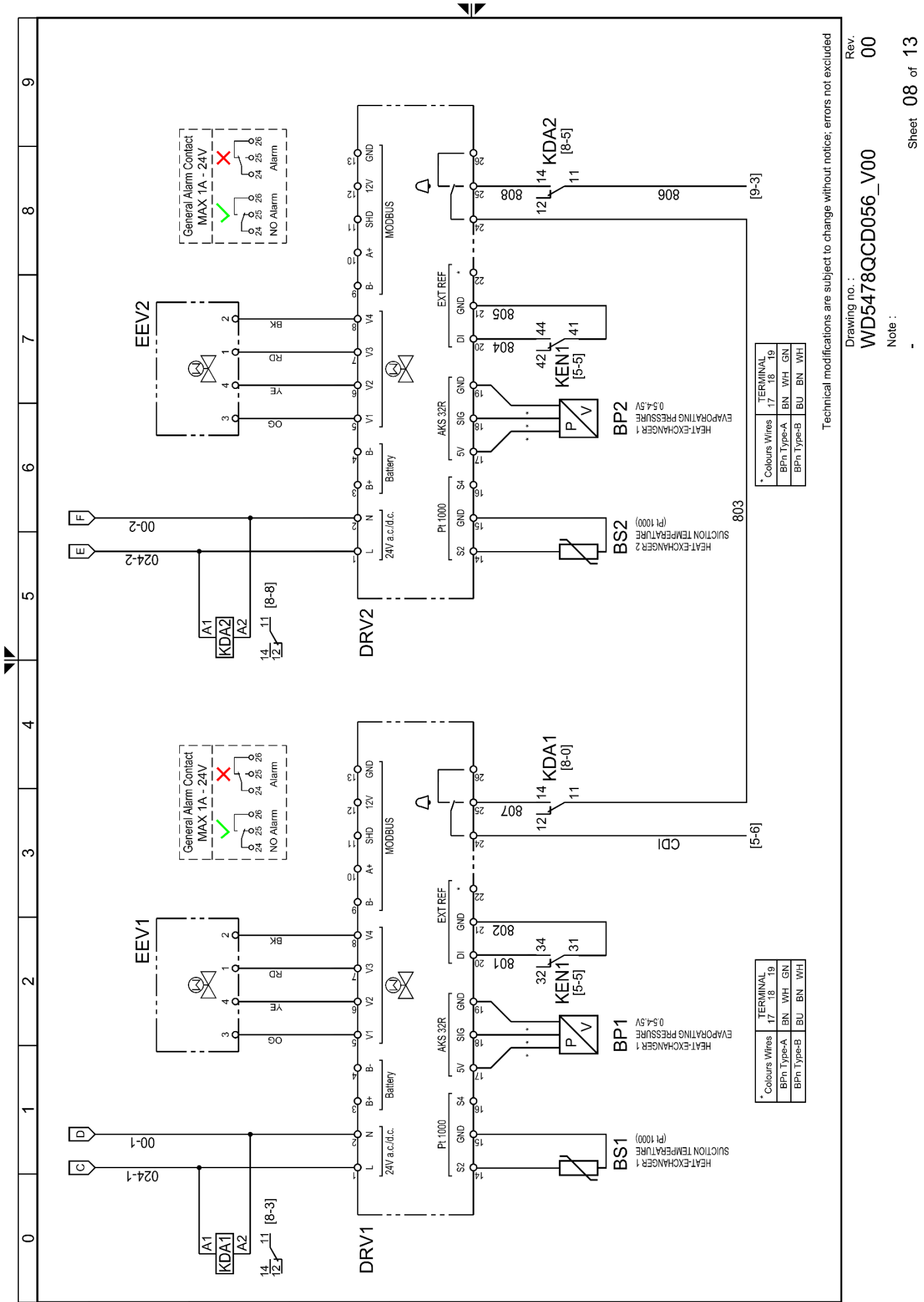
Rev.

WD5478QCD056_V00 00

Note :

Sheet 07 of 13

13.3.4 DRYPOINT RA 10800 eco



Technical modifications are subject to change without notice; errors not excluded

Rev.

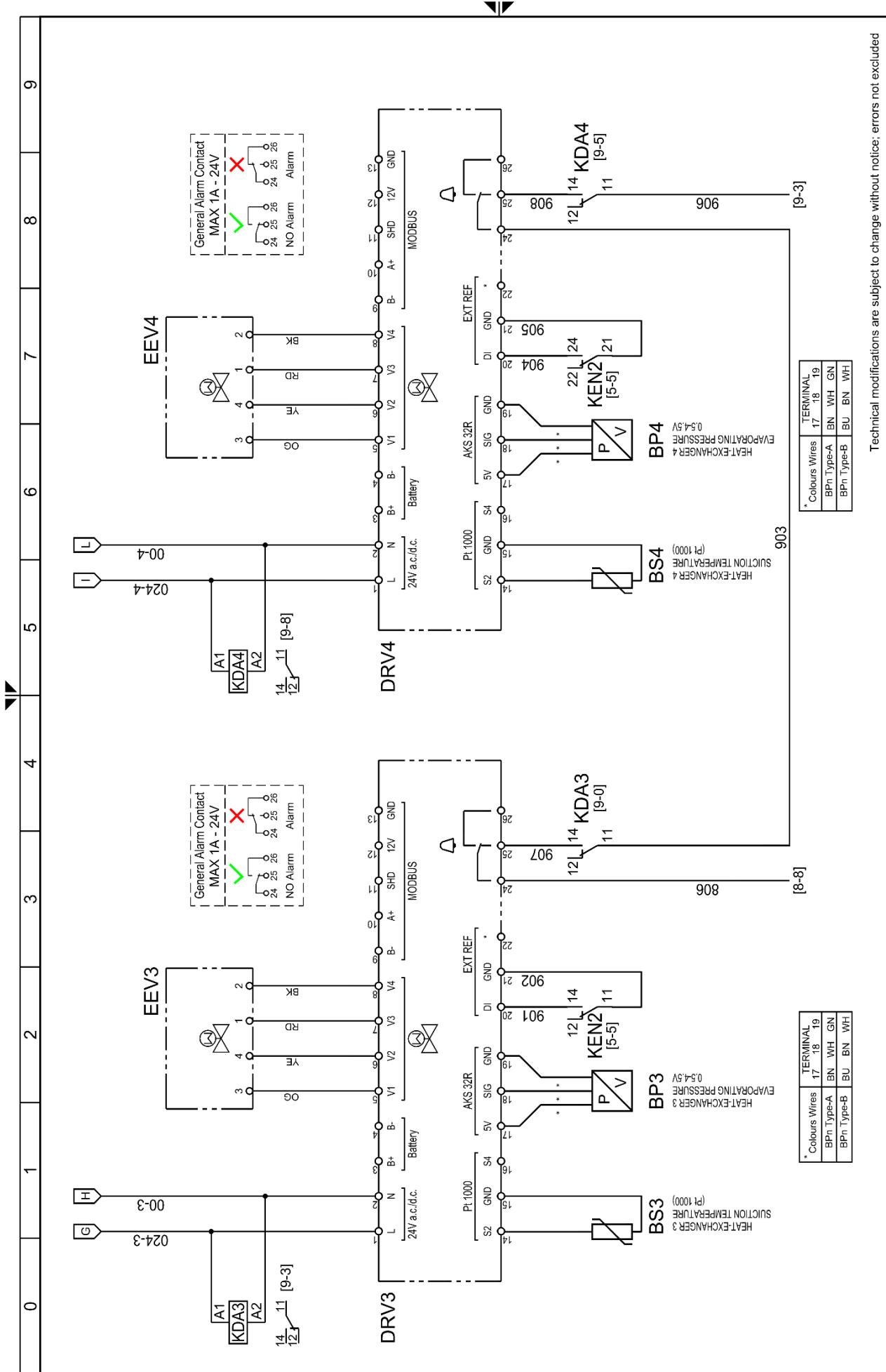
00

WD5478QCD056_V00

Note :

Sheet 08 of 13

13.3.4 DRYPOINT RA 10800 eco



Technical modifications are subject to change without notice; errors not excluded

Rev.

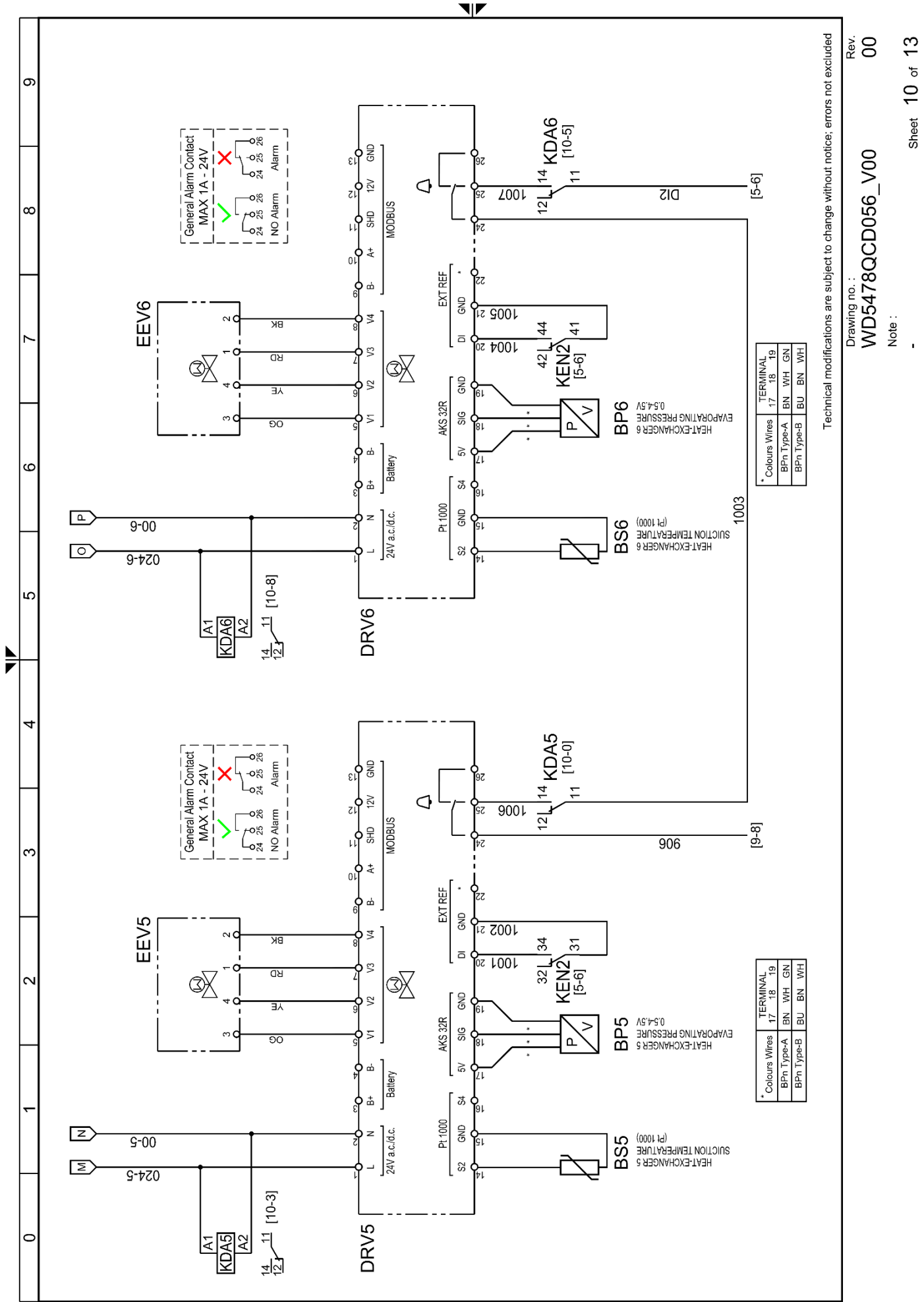
WD5478QCD056_V00

00

Note:

Sheet 09 of 13

13.3.4 DRYPOINT RA 10800 eco



Technical modifications are subject to change without notice; errors not excluded

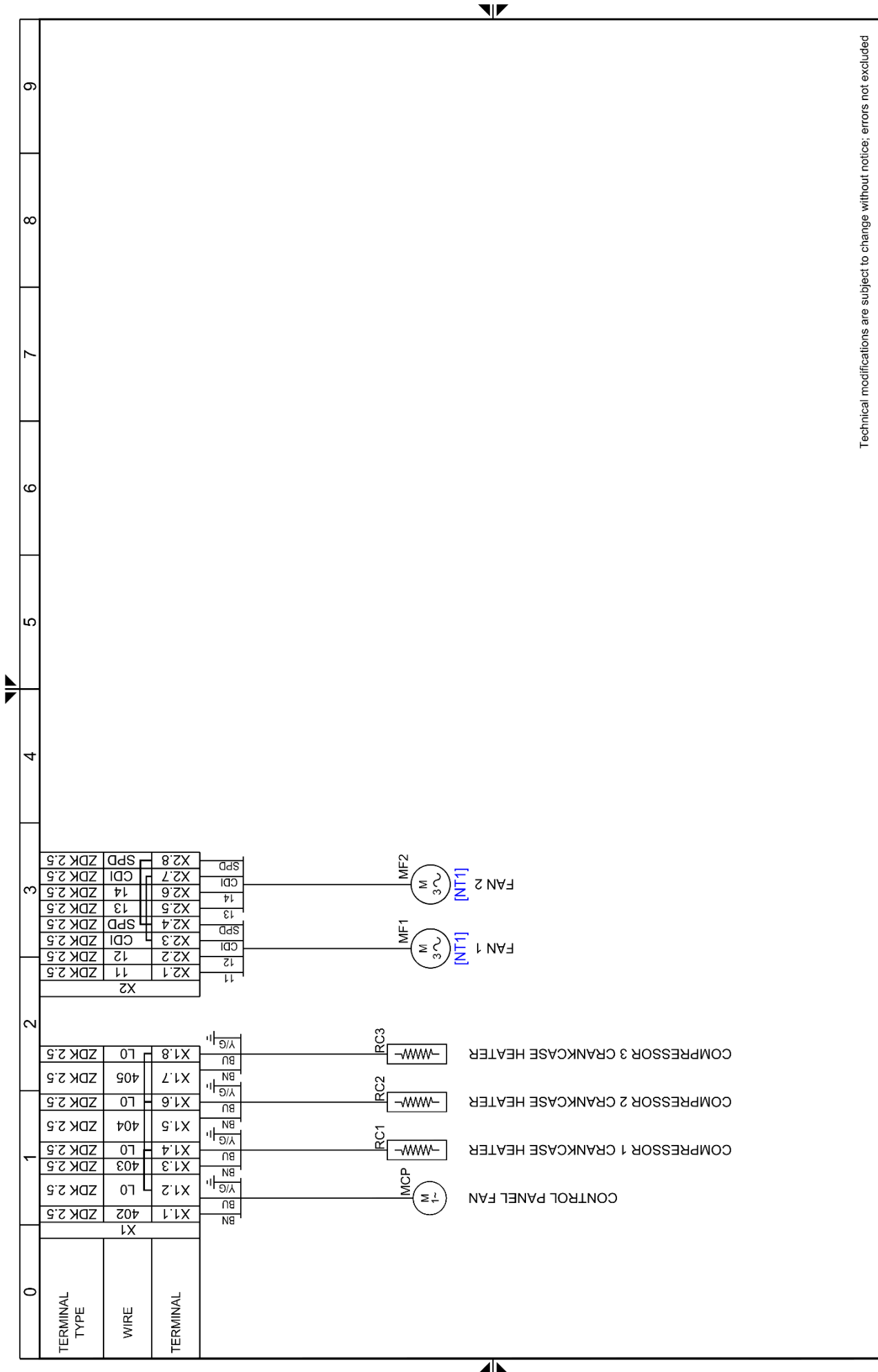
Drawing no. : WD5478QCD056_V00

Rev. 00

Note : -

Sheet 10 of 13

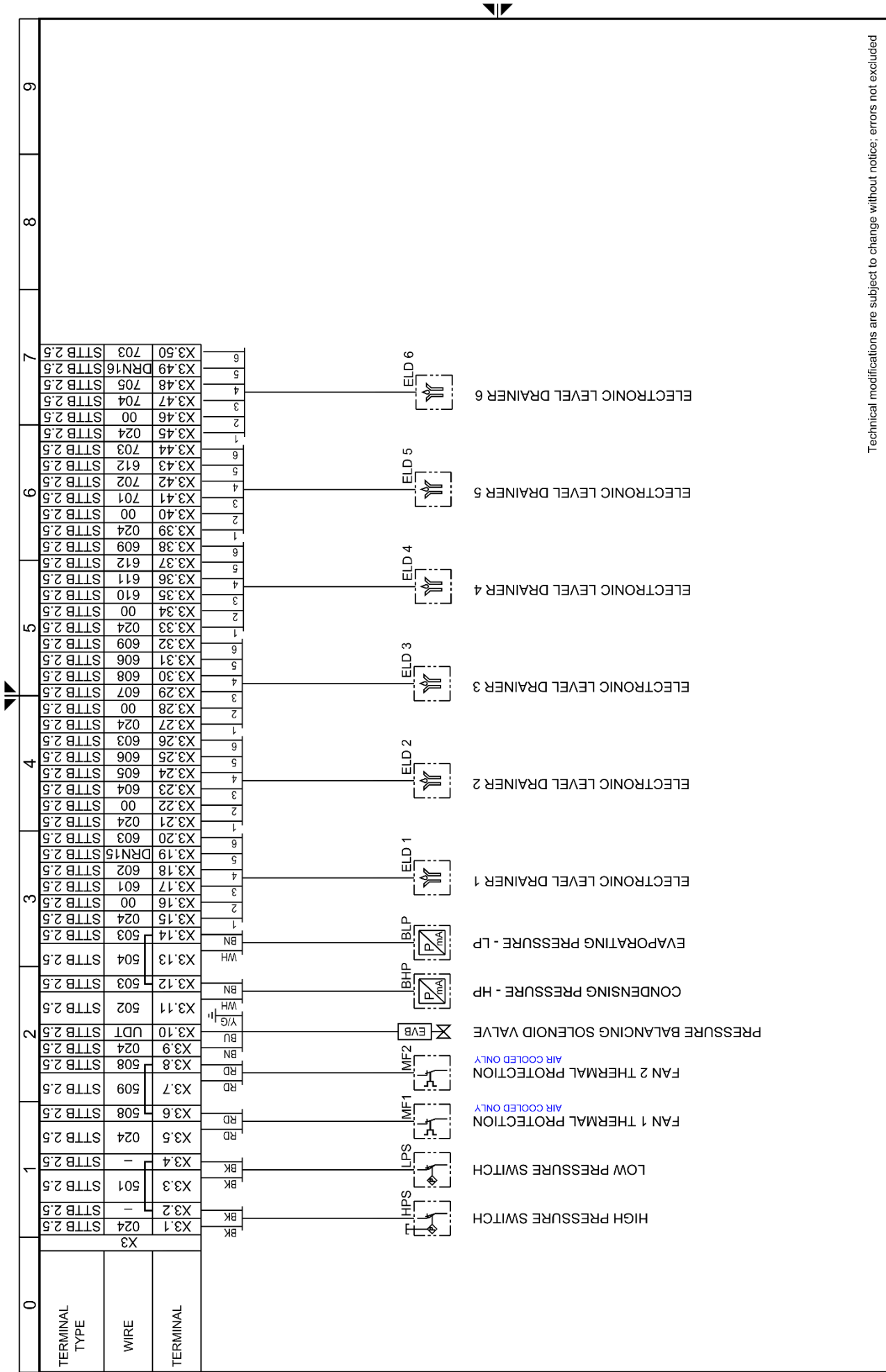
13.3.4 DRYPOINT RA 10800 eco



Technical modifications are subject to change without notice; errors not excluded

Drawing no. : **WD5478QCD056_V00**
 Rev. **00**
 Note : .
 Sheet **11** of **13**

13.3.4 DRYPOINT RA 10800 eco

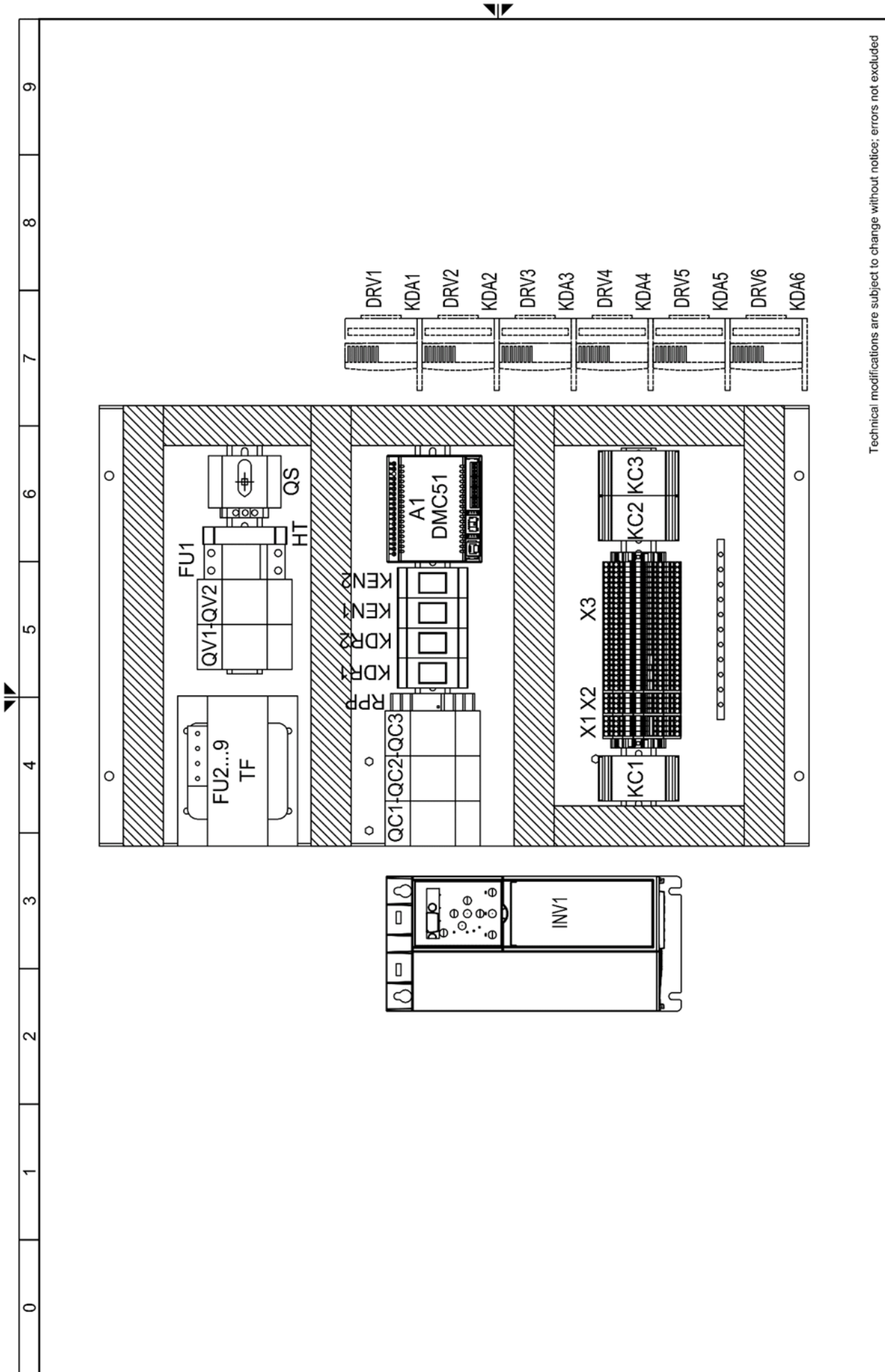


Technical modifications are subject to change without notice; errors not excluded

Drawing no. : WD5478QCD056_V00
Rev. 00

Note :
Sheet 12 of 13

13.3.4 DRYPOINT RA 10800 eco



Technical modifications are subject to change without notice; errors not excluded

Drawing no.: **WD5478QCD056_V00**
 Rev. **00**

Note: **Sheet 13 of 13**

14 EC declaration of conformity

BEKO TECHNOLOGIES GMBH
Im Taubental 7
41468 Neuss

GERMANY

Tel: +49 2131 988-0
www.beko-technologies.com



EU-Konformitätserklärung

Wir erklären hiermit, dass die nachfolgend bezeichneten Produkte den Anforderungen der einschlägigen Richtlinien und technischen Normen entsprechen. Diese Erklärung bezieht sich nur auf die Produkte in dem Zustand, in dem sie von uns in Verkehr gebracht wurden. Nicht vom Hersteller angebrachte Teile und/oder nachträglich vorgenommene Eingriffe bleiben unberücksichtigt.

Produktbezeichnung:	DRYPOINT® RA
Modelle:	750 eco, 870 eco, 960 eco, 1300 eco, 1800 eco, 2200 eco, 2400 eco, 2900 eco, 3600 eco, 4400 eco, 5400 eco, 6600 eco, 7200 eco, 8800 eco, 10800 eco
Spannungsvarianten:	≥ 110 VAC
Max. Betriebsdruck:	14 bar (g)
Produktbeschreibung und Funktion:	Kältetrockner zur Herabsetzung des Drucktaupunkts in Druckluft

Maschinen-Richtlinie 2006/42/EG

Angewandte harmonisierte Normen:	EN 14119, EN 14120, EN 12100, EN 13849-1; EN 60204-1
Name des Dokumentationsbevollmächtigten:	Herbert Schlensker; Im Taubental 7; 41468 Neuss, Deutschland

Druckgeräte-Richtlinie 2014/68/EU

Angewandte harmonisierte Normen:	ASME VIII Div. 1, EN 378-2, EN 10028-3, EN 12451
Angewandtes Konformitätsbewertungsverfahren:	Modul A2
Benannte Stelle:	British Engineering Services, London, UK

Niederspannungs-Richtlinie 2014/35/EU

Angewandte harmonisierte Normen:	EN 60204-1
----------------------------------	------------

EMV-Richtlinie 2014/30/EU

Angewandte harmonisierte Normen:	EN 61000-6-2:2005, EN 61000-6-4:2007+A1:2011
----------------------------------	--

ROHS II-Richtlinie 2011/65/EU

Die Vorschriften der Richtlinie 2011/65/EU zur Beschränkung der Verwendung bestimmter gefährlicher Stoffe in Elektro- und Elektronikgeräten werden erfüllt.

Die Produkte sind mit dem abgebildeten Zeichen gekennzeichnet:



Der Hersteller trägt die alleinige Verantwortung für die Ausstellung dieser Konformitätserklärung.

Neuss, 22.07.2016

Unterzeichnet für und im Namen von:

BEKO TECHNOLOGIES GMBH

i.V. Christian Riedel

Leiter Qualitätsmanagement International

BEKO TECHNOLOGIES GMBH
 Im Taubental 7
 41468 Neuss

GERMANY

Phone: +49 2131 988-0
 www.beko-technologies.com



EU Declaration of Conformity

We hereby declare that the products indicated hereafter comply with the stipulations of the relevant directives and technical standards. This declaration only refers to products in the condition in which they have been placed into circulation. Parts which have not been installed by the manufacturer and/or modifications which have been implemented subsequently remain unconsidered.

Product designation:	DRYPOINT® RA
Type:	750 eco, 870 eco, 960 eco, 1300 eco, 1800 eco, 2200 eco, 2400 eco, 2900 eco, 3600 eco, 4400 eco, 5400 eco, 6600 eco, 7200 eco, 8800 eco, 10800 eco
Voltage options:	≥ 110 VAC
Max. operating pressure	14 bar
Product description and function:	Refrigerant dryer used to lower the pressure dew point of compressed air

Machinery Directive 2006/42/EU

Applied harmonized standards:	EN 14119, EN 14120, EN 12100, EN 13849-1; EN 60204-1
Authorized representative for document:	Herbert Schlensker; Im Taubental 7; 41468 Neuss, Germany

Pressure Equipment Directive 2014/68/EC

Applied harmonized standards:	ASME VIII Div. 1, EN 378-2, EN 10028-3, EN 12451
Applied conformity assessment procedure:	Module A2
Notified body:	British Engineering Services, London, UK

Low Voltage Directive 2014/35/EU

Applied harmonized standards:	EN 60204-1
-------------------------------	------------

EMC Directive 2014/30/EU

Applied harmonized standards:	EN 61000-6-2:2005, EN 61000-6-4:2007+A1:2011
-------------------------------	--

RoHS II Directive 2011/65/EU

The products meet the requirements laid down in European Directive 2011/65/EU concerning the restriction of the use of certain hazardous substances in electrical and electronic devices.

The products bear the CE Mark:



The manufacturer shall have sole responsibility for issuing this declaration of conformity.

Signed for and on behalf of:

Neuss, 22.07.2016

BEKO TECHNOLOGIES GMBH

ppa Christian Riedel
 Head of the International Quality Management

BEKO TECHNOLOGIES GMBH
41468 Neuss, ALLEMAGNE
Tél: +49 2131 988-0
www.beko-technologies.com



Déclaration de conformité CE

Nous déclarons par la présente que les produits désignés ci-après sont conformes aux exigences des directives et normes techniques applicables. La présente déclaration ne concerne que les produits dans l'état dans lequel nous les avons mis sur le marché. Elle ne prend pas en compte les pièces qui n'ont pas été montées par le fabricant et/ou les modifications ultérieures.

Désignation du produit: DRYPOINT® RA
Modèles: 750 eco, 870 eco, 960 eco, 1300 eco, 1800 eco, 2200 eco, 2400 eco, 2900 eco, 3600 eco, 4400 eco, 5400 eco, 6600 eco, 7200 eco, 8800 eco, 10800 eco
Tension de service: ≥ 110 V CA
Pression de service maxima: 14 bar
Description du produit et fonction: Sécheur frigorifique pour la réduction du point de rosée dans l'air comprimé

Directive relative aux machines 2006/42/EU

Normes appliquées: EN 14119, EN 14120, EN 12100, EN 13849-1; EN 60204-1
Nom et adresse de la personne habilitée à constituer la documentation technique: Herbert Schlensker
Im Taubental 7
41468 Neuss, Allemagne

Directive relative aux équipements sous pression 2014/68/EU

Normes appliquées: ASME VIII Div. 1, EN 378-2, EN 10028-3, EN 12451
Procédure d'évaluation de conformité: Module A2
Site mentionné: British Engineering Services, London, UK

Directive basse tension 2014/35/EU

Normes appliquées: EN 60204-1

Directive CEM 2014/30/EU

Normes appliquées: EN 61000-6-2:2005, EN 61000-6-4:2007+A1:2011

Directive ROHS II 2011/65/EU

Les dispositions de la directive 2011/65/EU pour la limitation de l'utilisation de certaines substances dangereuses dans les équipements électriques et électroniques sont respectées.

Les produits sont dotés du sigle de l'illustration.



Neuss, 22.07.2018

BEKO TECHNOLOGIES GMBH

p.o. Christian Riedel
Responsable gestion de la qualité

BEKO TECHNOLOGIES GMBH
 41468 Neuss, ALEMANIA
 Telf.: +49 2131 988-0
 www.beko-technologies.com



Declaración de conformidad CE

Por medio del presente documento declaramos que los productos mencionados cumplen con los requisitos de las directivas y normas técnicas pertinentes. Esta declaración se refiere exclusivamente a los productos en el estado en el que han sido comercializados por nosotros. No se consideran las piezas que no hayan sido colocadas por el fabricante y/o las intervenciones llevadas a cabo posteriormente.

Denominación del producto: DRYPOINT® RA
 Modelos: 750 eco, 870 eco, 960 eco, 1300 eco, 1800 eco, 2200 eco, 2400 eco, 2900 eco, 3600 eco, 4400 eco, 5400 eco, 6600 eco, 7200 eco, 8800 eco, 10800 eco
 Tensión de servicio: ≥ 110 Vca
 Máxima presión de servicio: 14 bar
 Descripción del producto y funcionamiento: Secador frigorífico para la reducción del punto de rocío de presión en el aire comprimido

Directiva sobre máquinas 2006/42/EU

Normas aplicadas: EN 14119, EN 14120, EN 12100, EN 13849-1; EN 60204-1

Nombre y dirección de la persona que está autorizada para agrupar la documentación técnica: Herbert Schlensker
 Im Taubental 7
 41468 Neuss, Alemania

Directiva sobre equipos a presión 2014/68/EU

Normas aplicadas: ASME VIII Div. 1, EN 378-2, EN 10028-3, EN 12451

Procedimiento de valoración de conformidad aplicado: Módulo A2

Ente mencionado: British Engineering Services, London, UK

Directiva de baja tensión 2014/35/EU

Normas aplicadas: EN 60204-1

Directiva CEM 2014/30/EU

Normas aplicadas: EN 61000-6-2:2005, EN 61000-6-4:2007+A1:2011

Directiva ROHS II 2011/65/UE

Se cumplen las normativas de la directiva 2011/65/UE sobre la limitación de uso de determinadas sustancias peligrosas en los dispositivos eléctricos y electrónicos.

Los productos están identificados por medio del símbolo ilustrado:



Neuss, 22.07.2018

BEKO TECHNOLOGIES GMBH

p. A. Christian Riedel
 Director de Gestión de Calidad

BEKO TECHNOLOGIES GMBH
41468 Neuss, GERMANY
Phone: +49 2131 988-0
www.beko-technologies.com



Dichiarazione di conformità CE

Con la presente si dichiara che i prodotti indicati di seguito soddisfano i requisiti delle direttive e delle norme tecniche in materia. La presente dichiarazione si riferisce solo ai prodotti nello stato in cui sono stati messi in commercio dalla nostra azienda. Non vengono presi in considerazione componenti non applicati dal produttore e/o interventi effettuati a posteriori.

Denominazione prodotto: DRYPOINT® RA
Modelli: 750 eco, 870 eco, 960 eco, 1300 eco, 1800 eco, 2200 eco, 2400 eco, 2900 eco, 3600 eco, 4400 eco, 5400 eco, 6600 eco, 7200 eco, 8800 eco, 10800 eco
Varianti di tensione: ≥ 110 VAC
Massima pressione di esercizio: 14 bar
Descrizione del prodotto e funzione: Essiccatore a ciclo frigorifero per l'abbassamento del punto di rugiada nell'aria compressa

Direttiva macchine 2006/42/EU

Norme armonizzate applicate: EN 14119, EN 14120, EN 12100, EN 13849-1; EN 60204-1

Nome e recapito della persona autorizzata alla redazione della documentazione tecnica:

Herbert Schlensker
Im Taubental 7
41468 Neuss, Germania

Pressure Equipment Directive 2014/68/EU

Norme armonizzate applicate: ASME VIII Div. 1, EN 378-2, EN 10028-3, EN 12451
Procedura di valutazione della conformità: Module A1
Ente nominato: British Engineering Services, London, UK

Direttiva bassa tensione 2014/35/EU

Norme armonizzate applicate: EN 60204-1

EMC Directive 2014/30/EU

Norme armonizzate applicate: EN 61000-6-2:2005, EN 61000-6-4:2007+A1:2011

RoHS II Directive 2011/65/EU

Le disposizioni della Direttiva 2011/65/UE sulla restrizione dell'uso di determinate sostanze pericolose nelle apparecchiature elettriche ed elettroniche sono soddisfatte.

I prodotti recano il marchio



Neuss, 22/07/2016

BEKO TECHNOLOGIES GMBH

ppa Christian Riedel
Direttore gestione qualità

BEKO TECHNOLOGIES GMBH
 41468 Neuss, ALEMANHA
 Tel: +49 2131 988-0
 www.beko-technologies.com



Declaração de Conformidade CE

Declaramos que os produtos a seguir designados cumprem os requisitos das diretivas e normas técnicas aplicáveis. Esta declaração apenas se aplica aos produtos que se encontram no estado em que nós os fornecemos. Não se incluem peças não utilizadas pelo fabricante ou intervenções técnicas posteriores não realizadas pelo fabricante.

Designação do produto: DRYPOINT® RA
 Modelos: 750 eco, 870 eco, 960 eco, 1300 eco, 1800 eco, 2200 eco, 2400 eco, 2900 eco, 3600 eco, 4400 eco, 5400 eco, 6600 eco, 7200 eco, 8800 eco, 10800 eco
 Tensão de serviço: ≥ 110 Vac
 Pressão máxima de funcionamento: 14 bar
 Descrição do produto e seu funcionamento: Secador por refrigeração para redução do ponto de orvalho no ar comprimido

Diretiva de máquinas 2006/42/CE

Normas aplicáveis: EN 14119, EN 14120, EN 12100, EN 13849-1; EN 60204-1
 Nome e morada da pessoa autorizada para compilar a documentação técnica: Herbert Schlensker
 Im Taubental 7
 41468 Neuss, Alemanha

Diretiva de equipamentos sob pressão 2014/68/EU

Normas aplicáveis: ASME VIII Div. 1, EN 378-2, EN 10028-3, EN 12451
 Procedimento de avaliação de conformidade aplicado: Módulo A2
 Organismo notificado: British Engineering Services, London, UK

Diretiva de baixa tensão 2014/35/EU

Normas aplicáveis: EN 60204-1

Diretiva CEM 2014/30/EU

Normas aplicáveis: EN 61000-6-2:2005, EN 61000-6-4:2007+A1:2011

Diretiva II ROHS 2011/65/UE

São cumpridas as prescrições da norma 2011/65/UE para limitação da utilização de determinadas substâncias perigosas em aparelhos elétricos e eletrônicos.

Os produtos estão identificados com os símbolos representados na figura:



Neuss, 22.07.2016

BEKO TECHNOLOGIES GMBH

i.V. Christian Riedel
 Diretor de Gestão de Qualidade

BEKO TECHNOLOGIES GMBH
 41468 Neuss, GERMANY
 Tel: +49 2131 988-0
 www.beko-technologies.com



EG-verklaring van overeenstemming

Wij verklaren hierbij dat de hieronder omschreven producten aan de eisen voldoen van de desbetreffende richtlijnen en technische normen. Deze verklaring heeft alleen betrekking op de producten in de toestand waarin die laatste door ons in omloop werden gebracht. Niet door de fabrikant aangebrachte onderdelen en/of achteraf uitgevoerde ingrepen worden niet in aanmerking genomen.

Productomschrijving: DRYPOINT® RA
 Modellen: 750 eco, 870 eco, 960 eco, 1300 eco, 1800 eco, 2200 eco, 2400 eco, 2900 eco, 3600 eco, 4400 eco, 5400 eco, 6600 eco, 7200 eco, 8800 eco, 10800 eco
 Bedrijfsspanning: ≥ 110 Vac
 Maximale werkdruk: 14 bar
 Productbeschrijving en functie: Vriesdroger voor de verlaging van het drukdauwpunt in perslucht

Machinerichtlijn 2006/42/EU
 Toegepaste normen: EN 14119, EN 14120, EN 12100, EN 13849-1; EN 60204-1

Naam en adres van de persoon die is gemachtigd om de technische documentatie samen te stellen: Herbert Schlensker
 Im Taubental 7
 41468 Neuss, Duitsland

Richtlijn Drukapparatuur 2014/68/EU
 Toegepaste normen: ASME VIII Div. 1, EN 378-2, EN 10028-3, EN 12451
 Toegepaste conformiteitsbeoordelingsprocedure: Module A2
 Aangemelde instantie: British Engineering Services, London, UK

Laagspanningsrichtlijn 2014/35/EU
 Toegepaste normen: EN 60204-1

EMC-richtlijn 2014/30/EU
 Toegepaste normen: EN 61000-6-2:2005, EN 61000-6-4:2007+A1:2011

ROHS II-richtlijn 2011/65/EU
 De voorschriften van richtlijn 2011/65/EU betreffende de beperking van het gebruik van bepaalde gevaarlijke stoffen in elektrische en elektronische apparatuur worden in acht genomen.

De producten zijn gemarkeerd met de afgebeelde symbolen:  0040

Neuss, 22.07.2016

BEKO TECHNOLOGIES GMBH

namens Christian Riedel
 Directeur Kwaliteitsmanagement

BEKO TECHNOLOGIES GMBH
 Нойс, 41468, ГЕРМАНИЯ
 Тел.: +49 2131 988-0
 www.beko-technologies.com



Заявление о соответствии нормам ЕС

Настоящим заявляем, что перечисленное ниже оборудование соответствует требованиям указанных директив и технических стандартов. Данное заявление относится только к оборудованию в том состоянии, в котором оно было введено в обращение. Не учитываются запчасти, установленные не изготовителем и/или самостоятельно произведенный ремонт.

Наименование оборудования:	DRYPOINT® RA
Модель:	750 eco, 870 eco, 960 eco, 1300 eco, 1800 eco, 2200 eco, 2400 eco, 2900 eco, 3600 eco, 4400 eco, 5400 eco, 6600 eco, 7200 eco, 8800 eco, 10800 eco
Рабочее напряжение:	≥ 110 В перем. тока
Максимальное рабочее давление:	14 бар
Наименование и функция оборудования:	холодильный осушитель сжатого воздуха для понижения температуры до точки росы под давлением

Директива на машины и механизмы 2006/42/ЕС

Применимые стандарты:	EN 14119, EN 14120, EN 12100, EN 13849-1; EN 60204-1
Ф.И.О. и адрес лица, уполномоченного на составление технической документации:	Герберт Шленскер Им Таубенталь 7 Нойс, 41468, Германия

Директива на оборудование, работающее под давлением 2014/68/EU

Применимые стандарты:	ASME, раздел VIII, часть 1, EN 378-2, EN 10028-3, EN 12451
Применимый метод оценки соответствия:	модуль A2
Уполномоченный орган:	British Engineering Services, Лондон, Великобритания

Директива по низкому напряжению 2014/35/EU

Применимые стандарты:	EN 60204-1
-----------------------	------------

Директива об электромагнитной совместимости 2014/30/EU

Применимые стандарты:	EN 61000-6-2:2005, EN 61000-6-4:2007+A1:2011
-----------------------	--

Директива RoHS 2 2011/65/ЕС

Положения Директивы 2011/65/ЕС по ограничению применения определенных вредных веществ в электрическом и электронном оборудовании соблюдены.

Оборудование маркировано знаком: 0040

Нойс, 22.07.2016

BEKO TECHNOLOGIES GMBH

И.о. Кристиан Ридель
 Старший менеджер по качеству


BEKO TECHNOLOGIES GMBH
 41468 Neuss, TYSKLAND
 Tlf. +49 2131 988-0
 www.beko-technologies.com



EF-konformitetserklæring

Vi erklærer hermed, at de efterfølgende benævnte produkter er i overensstemmelse med de relevante direktiver og tekniske normer. Denne erklæring gælder kun for produkterne i den stand, hvori de er sat i omløb af os. Dele, der ikke er anbragt af producenten og/eller efterfølgende foretagne indgreb, tages ikke i betragtning.

Produktbetegnelse:	DRYPOINT®RA
Model:	750 eco, 870 eco, 960 eco, 1300 eco, 1800 eco, 2200 eco, 2400 eco, 2900 eco, 3600 eco, 4400 eco, 5400 eco, 6600 eco, 7200 eco, 8800 eco, 10800 eco
Driftsspænding:	≥ 110 Vac
Maks. driftryk:	14 bar
Produktbeskrivelse og funktion:	Køletørrer til reducere af trykdugpunktet i trykluft
Maskindirektiv 2006/42/EU	
Anvendte normer:	EN 14119, EN 14120, EN 12100, EN 13849-1; EN 60204-1
Navn og adresse på personen, der er bemyndiget til at sammensætte den tekniske dokumentation:	Herbert Schlensker Im Taubental 7 41468 Neuss, Tyskland
Trykapparater-direktiv 2014/68/EU	
Anvendte normer:	ASME VIII Div. 1, EN 378-2, EN 10028-3, EN 12451
Anvendt konformitetsvurderingsproces:	Modul A2
Nævnte sted:	British Engineering Services, London, UK
Lavspændings-direktiv 2014/35/EU	
Anvendte normer:	EN 60204-1
EMC-direktiv 2014/30/EU	
Anvendte normer:	EN 61000-6-2:2005, EN 61000-6-4:2007+A1:2011
ROHS II-direktiv 2011/65/EU	
Bestemmelserne i direktiv 2011/65/EU til begrænsning af brugen af bestemte farlige stoffer i el- og elektronikapparater er opfyldt.	

Produkter er mærket med det viste tegn: 

Neuss, 22.07.2016

BEKO TECHNOLOGIES GMBH

p.v.. Christian Riedel
 Leder Kvalitetsmanagement

BEKO TECHNOLOGIES GMBH
 41468 Neuss, GERMANY
 Tel: +49 2131 988-0
 www.beko-technologies.com



Deklaracja zgodności WE

Niniejszym deklarujemy, że niżej opisane produkty spełniają wymogi właściwych dyrektyw i norm technicznych. Deklaracja niniejsza odnosi się tylko do produktów w stanie, w jakim zostały one wprowadzone do obrotu. Części niezamontowane przez producenta i/lub ingerencje dokonane po dostarczeniu produktu pozostaną nieuwzględnione.

Nazwa produktu:	DRYPOINT® RA
Model:	750 eco, 870 eco, 960 eco, 1300 eco, 1800 eco, 2200 eco, 2400 eco, 2900 eco, 3600 eco, 4400 eco, 5400 eco, 6600 eco, 7200 eco, 8800 eco, 10800 eco
Napięcie robocze:	≥ 110 VAC
Maksymalne ciśnienie robocze:	4–14 bar
Opis produktu i funkcja:	Osuszacz chłodniczy do obniżania ciśnieniowego punktu rosy w sprężonym powietrzu

Dyrektywa Maszynowa 2006/42/EU

Zastosowane normy: EN 14119, EN 14120, EN 12100, EN 13849-1; EN 60204-1

Nazwisko i adres osoby, która posiada pełnomocnictwo do sporządzania dokumentacji technicznej: Herbert Schlensker
 Im Taubental 7
 41468 Neuss, Niemcy

Dyrektywa w sprawie urządzeń ciśnieniowych 2014/68/EU

Zastosowane normy: ASME VIII Div. 1, EN 378-2, EN 10028-3, EN 12451

Zastosowane procedury oceny zgodności: Moduł A2

Jednostka notyfikowana: British Engineering Services, London, UK

Dyrektywa niskonapięciowa 2014/35/EU

Zastosowane normy: EN 60204-1

Dyrektywa EMC 2014/30/EU

Zastosowane normy: EN 61000-6-2:2005, EN 61000-6-4:2007+A1:2011

Dyrektywa ROHS II 2011/65/UE

Przepisy dyrektywy 2011/65/UE w sprawie ograniczenia zastosowania określonych niebezpiecznych substancji w urządzeniach elektrycznych i elektronicznych są spełnione.

Produkty są oznakowane następującym symbolem:



Neuss, 22.07.2016

BEKO TECHNOLOGIES GMBH

z up. Christian Riedel
 kierownik Działu Zapewnienia Jakości

BEKO TECHNOLOGIES GMBH
 41468 Neuss, TYSKLAND
 Tele: +49 2131 988-0
 www.beko-technologies.com



EG-konformitetsdeklaration

Vi förklarar härmed att följande betecknade produkter motsvarar kraven för gällande riktlinjer och tekniska normer. Denna förklaring syftar endast på produkterna i den version, i vilken de släpps på marknaden. Delar, som inte monterats av tillverkaren och/eller senare genomförda ingrepp beaktas ej.

Produktbeteckning: DRYPOINT® RA
 Modeller: 750 eco, 870 eco, 960 eco, 1300 eco, 1800 eco, 2200 eco, 2400 eco, 2900 eco, 3600 eco, 4400 eco, 5400 eco, 6600 eco, 7200 eco, 8800 eco, 10800 eco
 Driftsspänning: ≥ 110 Vac
 Maximal driftryck: 14 bar
 Produktbeskrivning och funktion: Kyltorkare för framställning av tryckdaggpunkt i tryckluft

Maskinriktlinje 2006/42/EU

Tillämpadenormer: EN 14119, EN 14120, EN 12100, EN 13849-1; EN 60204-1

Namn och adress till personen, som är bemyndigad att sammanställa den tekniska dokumentationen:

Herbert Schlensker
 Im Taubental 7
 41468 Neuss, Tyskland

Tryckapparatsriktlinje 2014/68/EU

Tillämpadenormer: ASME VIII Div. 1, EN 378-2, EN 10028-3, EN 12451
 Tillämpad konformitetsbedömningsmetod: Modul A2
 Nämnt ställe: British Engineering Services, London, UK

Lågspänningsdirektivet 2014/35/EU

Tillämpadenormer: EN 60204-1

EMV-riktlinje 2014/30/EU

Tillämpadenormer: EN 61000-6-2:2005, EN 61000-6-4:2007+A1:2011

ROHS II-riktlinje 2011/65/EU

Föreskrifterna i riktlinje 2011/65/EU uppfylls för begränsningen av användning av bestämda farliga ämnen i elektro- och elektronikapparater.

Produkterna är märkta med illustrerade tecken:



Neuss, 2016-07-22

BEKO TECHNOLOGIES GMBH

på uppdrag Christian Riedel
 Ledare Chef för kvalitetshantering

BEKO TECHNOLOGIES GMBH
 41468 Neuss, GERMANY
 Tel.: +49 2131 988-0
 www.beko-technologies.com



ES - prohlášení o shodě

Tímto prohlašujeme, že níže uvedené produkty vyhovují požadavkům příslušných směrnic a technických norem. Toto prohlášení se vztahuje pouze na produkty ve stavu, ve kterém byly námi uvedené do provozu. Díly, které nebyly nainstalovány výrobcem, nebo následně provedené zásahy, zůstávají nezohledněny.

Označení produktu: DRYPOINT®RA
 Modely: 750 eco, 870 eco, 960 eco,
 1300 eco, 1800 eco, 2200 eco,
 2400 eco, 2900 eco, 3600 eco,
 4400 eco, 5400 eco, 6600 eco,
 7200 eco, 8800 eco, 10800 eco
 Provozní napětí: ≥ 110 Vac
 Maximální provozní tlak: 14 bar
 Popis produktu a funkce: Kondenzační sušička pro snížení tlakového rosného bodu ve stlačeném vzduchu

Směrnice pro strojní zařízení 2006/42/EU

Aplikované normy: EN 14119, EN 14120, EN 12100, EN 13849-1;
 EN 60204-1
 Jméno a adresa osoby, která je zmocněná k sestavení technické dokumentace: Herbert Schlensker
 Im Taubental 7
 41468 Neuss, Německo

Směrnice pro tlakové přístroje 2014/68/EU

Aplikované normy: ASME VIII Div. 1, EN 378-2, EN 10028-3, EN 12451
 Aplikovaný postup hodnocení shody: Modul A2
 Uvedené místo: British Engineering Services, London, UK

Směrnice pro nízké napětí 2014/35/EU

Aplikované normy: EN 60204-1

EMV - směrnice 2014/30/EU

Aplikované normy: EN 61000-6-2:2005, EN 61000-6-4:2007+A1:2011

ROHS II-směrnice 2011/65/EU

Předpisy směrnice 2011/65/EU k omezení používání určitých nebezpečných látek v elektrických a elektronických přístrojích byly splněny.

Produkty jsou označeny zobrazeným symbolem:



Neuss, 22.07.2016

BEKO TECHNOLOGIES GMBH

v zastoupení Christian Riedel
 vedoucí managementu kvality

BEKO TECHNOLOGIES GMBH
 德国诺伊斯 (Neuss) 港口, 邮编: 41468
 电话: +49 2131 988-0
 www.beko-technologies.com




EC 符合性声明

我们在此声明, 下面列出的产品符合相关规定和技术标准的要求。这份申明仅限我们已投入流通市场的产品。不考虑制造商给出的部件和/或后续进行的干预。

产品名称:	DRYPOINT®RA
型号:	750 eco, 870 eco, 960 eco, 1300 eco, 1800 eco, 2200 eco, 2400 eco, 2900 eco, 3600 eco, 4400 eco, 5400 eco, 6600 eco, 7200 eco, 8800 eco, 10800 eco
运行电压:	≥ 110 Vac
最大工作压力:	14 bar
产品说明和功能:	冷冻干燥机, 用于降低压缩空气中的压力露点
机械指令 2006/42/EU	
使用的标准:	EN 14119, EN 14120, EN 12100, EN 13849-1; EN 60204-1
该技术文档授权编写人员的姓名和地址:	Herbert Schlensker 德国诺伊斯 (Neuss) 港口 1m Taubental 街 7 号 邮编: 41468
承压设备指令 2014/68/EU	
使用的标准:	ASME VIII Div. 1, EN 378-2, EN 10028-3, EN 12451
使用的符合性评定流程:	模块 A2
公告机构:	英国工程服务, 伦敦英国
低电压指令 2014/35/EU	
使用的标准:	EN 60204-1
EMV 指令 2014/30/EU	
使用的标准:	EN 61000-6-2:2005, EN 61000-6-4:2007+A1:2011

ROHS II-指令 2011/65/EU

满足指令 2011/65/EU 中针对限制在电气和电子设备中使用特定危险物质的规定。

这些产品标上了图示中的标记: 

诺伊斯, 2016. 07. 22

BEKO TECHNOLOGIES GMBH

受质管部主管 Christian Riedel 的全权委托

<p>Headquarter Deutschland / Germany BEKO TECHNOLOGIES GMBH Im Taubental 7 D - 41468 Neuss Tel. +49 2131 988 0 Mobil +49 / (0) 174 / 376 03 13 info@beko-technologies.com</p>	<p>United Kingdom BEKO TECHNOLOGIES LTD. Unit 11-12 Moons Park Burnt Meadow Road North Moons Moat Redditch, Worcs, B98 9PA Tel. +44 1527 575 778 info@beko-technologies.co.uk</p>	<p>France BEKO TECHNOLOGIES S.à.r.l. Zone Industrielle 1 Rue des Frères Rémy F - 57200 Sarreguemines Tél. +33 387 283 800 info@beko-technologies.fr</p>
<p>Benelux BEKO TECHNOLOGIES B.V. Veenen 12 NL - 4703 RB Roosendaal Tel. +31 165 320 300 benelux@beko-technologies.com</p>	<p>中华人民共和国 / China BEKO TECHNOLOGIES (Shanghai) Co. Ltd. Rm. 606 Tomson Commercial Building 710 Dongfang Rd. Pudong Shanghai China P.C. 200122 Tel. +86 21 508 158 85 info.cn@beko-technologies.cn</p>	<p>Česká Republika / Czech Republic BEKO TECHNOLOGIES s.r.o. Na Pankraci 58 CZ - 140 00 Praha 4 Tel. +420 24 14 14 717 / +420 24 14 09 333 Mobil +420 605 274 743 info@beko-technologies.cz</p>
<p>España / Spain BEKO Tecnológica España S.L. Torruella i Urpina 37-42, nave 6 E - 08758 Cervelló Tel. +34 93 632 76 68 Mobil +34 610 780 639 info.es@beko-technologies.es</p>	<p>中華人民共和國香港特別行政區 / Hong Kong SAR of China BEKO TECHNOLOGIES LIMITED Unit 1010 Miramar Tower 132 Nathan Rd. Tsim Sha Tsui Kowloon Hong Kong Tel. +852 5578 6681 (Hong Kong) Tel. +86 147 1537 0081 (China) tim.chan@beko-technologies.com</p>	<p>India BEKO COMPRESSED AIR TECHNOLOGIES Pvt. Ltd. Plot No.43/1 CIEEP Gandhi Nagar Balanagar Hyderabad IN - 500 037 Tel +91 40 23080275 / +91 40 23081107 madhusudan.masur@bekoindia.com</p>
<p>Italia / Italy BEKO TECHNOLOGIES S.r.l Via Peano 86/88 I - 10040 Leini (TO) Tel. +39 011 4500 576 Fax +39 0114 500 578 info.it@beko-technologies.com</p>	<p>日本 / Japan BEKO TECHNOLOGIES K.K KEIHIN THINK Building 8 Floor 1-1 Minamiwatarida-machi Kawasaki-ku, Kawasaki-shi JP - 210-0855 Tel. +81 44 328 76 01 info@beko-technologies.jp</p>	<p>Polska / Poland BEKO TECHNOLOGIES Sp. z o.o. ul. Pańska 73 PL - 00-834 Warszawa Tel. +48 22 314 75 40 Mobil +49 173 28 90 700 info.pl@beko-technologies.pl</p>
<p>South East Asia BEKO TECHNOLOGIES S.E.Asia (Thailand) Ltd. 75/323 Soi Romklao, Romklao Road Sansab Minburi Bangkok 10510 Tel. +66 2-918-2477 info.th@beko-technologies.com</p>	<p>臺灣 / Taiwan BEKO TECHNOLOGIES Co.,Ltd 16F.-5 No.79 Sec.1 Xintai 5th Rd., Xizhi City New Taipei City 221 Taiwan (R.O.C.) Tel. +886 2 8698 3998 info.tw@beko-technologies.tw</p>	<p>USA BEKO TECHNOLOGIES CORP. 900 Great Southwest Pkwy SW US - Atlanta, GA 30336 Tel. +1 404 924-6900 Fax +1 (404) 629-6666 beko@bekousa.com</p>

Original operating instructions in English.
Subject to technical changes / errors excepted.